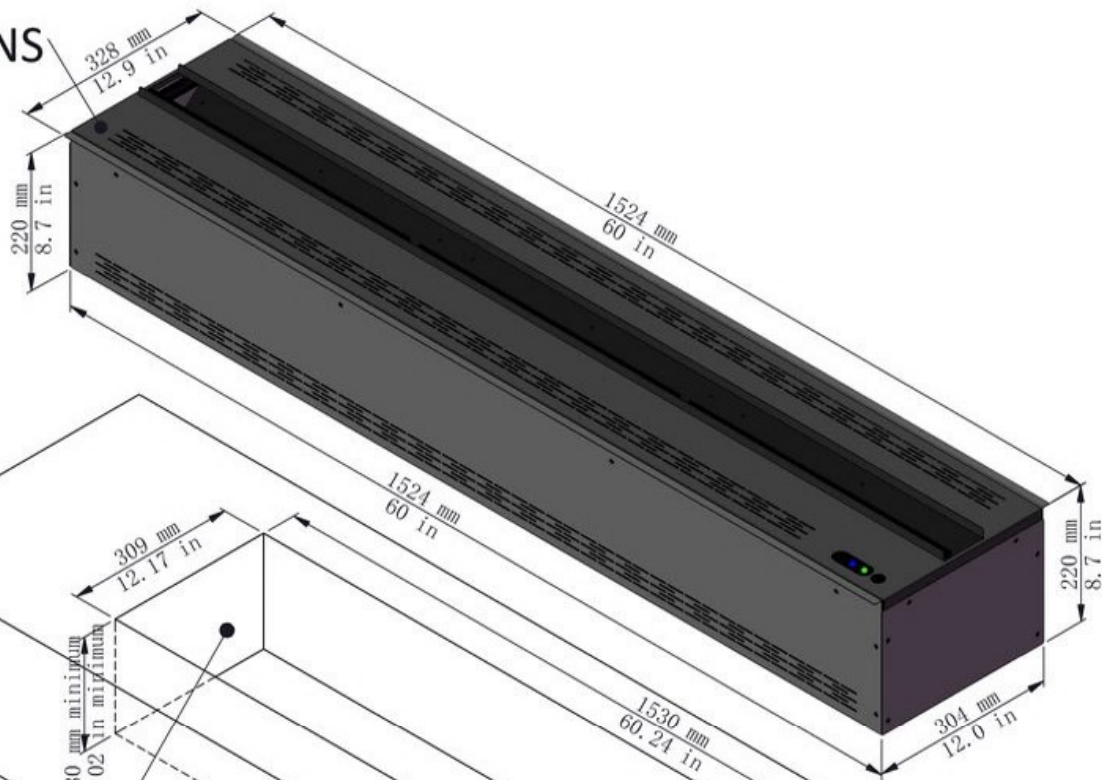


PRODUCT DIMENSIONS



ADVANCE AWA 60-150

RAL 9005



24V Adapter

HOUSING

Length: 1530 mm / 60.24 inch

Width: 309 mm / 12.17 inch

Depth: 280 mm / 11.02 inch minimum