



New Forest Electric Fire Installation & User Manual

Models covered in this document:
New Forest 870, 1200, 1600 & 1900

Welcome to British Fires



Table of Contents

Installation manual	4-30
1.0 Important notes	4
2.0 Appliance data	5-6
3.0 Component checklist	7
4.0 Unpacking the appliance	8
5.0 Appliance plug	8
6.0 Site requirements	9
7.0 Clearances – combustibles	9
7.1 Clearances – non-combustible shelves	9
8.0-8-2 Preparing the appliance (adding blanking plates & trims)	10-12
8.3 Removing the front glass (870, 1200, & 1600)	13
8.4 Removing the 1900 front glass	14
9.0 Installation items to note	15-16
9.1 Installation items – flue & chimney	16
9.2 Installation options	17-18
9.3 New Forest 870 shelf clearances	19
9.4 Non-combustible overhang requirements	19
9.5 Installation – studwall fixing	20-21
9.6 No drill section	22
9.7 Installation – wall hung	23-25
10.0 Signature Logs forest view layout	26
10.1 Signature Logs slate effect layout	27
10.2 Diamond Light fuel bed layout	28
10.3 Deluxe Real Log fuel bed layouts	29
10.4 Installing finishing trims	30
User instructions	33-47
11.0 Pairing the remote control	33
12.0 Operating the appliance	34-37
12.1 Setting the Weekly Timer	38
13.0 Safety cut-out system	39
14.0 Cleaning and maintenance	39
15.0 Troubleshooting guide	40-45
18.0 Specification Sheets	46-49
18.0 Servicing	50
19.0 T&Cs, Guarantee	51

1.0 Important notes

These instructions should be read carefully and retained for future reference.

When using this electrical appliance, basic precautions should be followed to reduce the risk of fire, electric shock and injury to person, including the following:

This heater must be used on an AC supply only and the voltage marked on the heater's rating label must correspond to the supply voltage.

DO NOT switch the appliance on until it is properly installed as described in this manual.

This appliance can be used by children aged from eight years and above and persons with reduced physical, sensory or mental capabilities or lack of experience and knowledge if they have been given supervision or instruction concerning use of the appliance in a safe way and understand the hazards involved. Children shall not play with the appliance. Cleaning and user maintenance shall not be made by children without supervision.


Children of less than three years should be kept away unless continuously supervised. Children aged from three years and less than eight years shall only switch on/off the appliance provided that it has been placed or installed in its intended normal operating position and they have been given supervision or instruction concerning use of the appliance in a safe way and understand the hazards involved.

Children aged from three years and less than eight years shall not plug in, regulate and clean the appliance or perform user maintenance.

CAUTION: Some parts of this appliance can become very hot and cause burns. Particular attention has to be given where children and vulnerable people are present.

Check that all parts included are intact and not damaged. If the supply cord is damaged, it must be replaced by the manufacturer, its service agent or similarly qualified persons in order to avoid a hazard. Never use the appliance if the cord or any part of the appliance shows signs of damage. The heater must not be located immediately below a socket-outlet.

DO NOT use this heater in the immediate surroundings of a bath, a shower or a swimming pool.

WARNING: In order to avoid overheating,  do not cover the fan of the heater.

DO NOT use this heater with a programmer, timer, separate remote-control system or any other device that switches the heater on automatically, since a fire risk exists if the heater is covered or positioned incorrectly.


CAUTION: In order to avoid a hazard due to inadvertent resetting of the thermal cut-out, this appliance must not be supplied through an external switching device, such as a timer, or connected to a circuit that is regularly switched on and off by the utility.

WARNING: This heater is not equipped with a device to control the room temperature. Do not use this heater in small rooms when they are occupied by persons not capable of leaving the room on their own, unless constant supervision is provided.

Keep furniture, curtains and other fabric material away from appliance.

DO NOT leave appliance unattended during use.

DO NOT run the cable plug under carpets, rugs etc.

 DO NOT cover or obstruct the heater in any way. Overheating will result if it is accidentally covered.

Never immerse the appliance in water or any other liquids.

DO NOT use the appliance outdoors.

Before cleaning the appliance, unplug it from the power source and check it is cooled down.

DO NOT clean the appliance with abrasive chemicals.

Never use accessories that are not recommended or supplied by the manufacturer. It could cause danger to the user and/or damage to the appliance.

DO NOT insert or allow foreign objects to enter the inlet or outlet vents as this may result in electric shock, fire or damage to the appliance.

DO NOT install the fire using an extension cord.

Unplug from the mains supply if the appliance is not to be used for long periods.

This appliance is only suitable for well-insulated spaces or occasional use.

DO NOT use this appliance in an open flue.

2.0 Appliance data

All New Forest Electric Fires

Supply Voltage & Rating Power	220-240V ~50Hz, 1500W
Heating Elements	1260 - 1500W
Lighting	LED
Approvals	UKCA CE

New Forest 870 Electric Fire

Weight	33 kg
Dimensions	H 465 x W 870 x D 311 mm

New Forest 1200 Electric Fire

Weight	65 kg
Dimensions	H 565 x W 1200 x D 311 mm

New Forest 1600 Electric Fire

Weight	85 kg
Dimensions	H 565 x W 1600 x D 311 mm

New Forest 1900 Electric Fire

Weight	96 kg
Dimensions	H 565 x W 1925 x D 311 mm

See the specification sheets on pages 46-49 for more information

2.0 Appliance data – continued

Heat output	Symbol	Value	Unit
Nominal heat output	P_{nom}	1.377	KW
Minimum heat output (indicative)	P_{min}	0.712	KW
Maximum continuous heat output	$P_{max, c}$	1.377	KW
Power consumption	Symbol	Value	Unit
Off	P_o	0.000	W
Standby	P_o	0.370	W
Idle	P_o	0.000	W
Network standby	P_o	0.000	W
Standby mode with display information or status		No	
Season space heater energy efficiency in active mode	$\eta_{s,on}$	92.000	%
Type of heat output / room temperature control			Y/N
Single stage heat output and no room temperature control			No
Two or more manual stages, no room temperature control			No
Mechanical thermostat room temperature control			No
Electronic room temperature control			No
Electronic room temperature control plus day timer			No
Electronic room temperature control plus week timer			Yes
Other control options			Y/N
Room temperature control with presence detection			No
Room temperature control with open window detection			Yes
Distance control option			No
Adaptive start control			No
Working time limit			No
Black bulb sensor			No
Self-learning function			No
Control accuracy			No

PLEASE NOTE:
This fire is fitted with Light Emitting Diode's (LEDs) in place of conventional bulbs. LEDs generate the same light levels as conventional bulbs but, use a fraction of the energy consumed. The LED light strips are designed and tested to last 20k hours.

The data label provides relevant technical information, as well as, the model and serial number. This can be found by looking up into the firebox from the front of the fireplace.



3.0 Component checklist

Qty New Forest 870 Components

1	Heater unit
1	Wall bracket
1	Remote control handset
2	AAA batteries for remote
2	L-shaped brackets
2	Blanking plates
4	Small end trims
2	Large end trims
24	4 x 8 mm Firebox screws
2	4 x 12 mm Firebox screws
8	Wall plugs
8	Fixing screws
2	Suite fixing brackets
1	Deluxe Real Logs Fuel Bed

870 Signature Log Fuel Bed Items

1	Box of Signature logs
1	Bag of slate
1	Bag of bark
1	Bag of husk
1	Bag of small crystals
2	Bag of small crystals

Qty New Forest 1600 Components

1	Heater unit
1	Wall bracket
1	Remote control handset
2	AAA batteries for remote
2	L-shaped brackets
2	Blanking plates
4	Small end trims
2	Large end trims
24	4 x 8 mm Firebox screws
2	4 x 12 mm Firebox screws
14	Wall plugs
14	Fixing screws
2	Suite fixing brackets
1	Deluxe Real Log Fuel Bed

1600 Signature Log Fuel Bed Items

2	Boxes of Signature logs
1	Bag of slate
1	Bag of bark
1	Bag of husk
1	Bag of large crystals
3	Bags of small crystals

Qty New Forest 1200 Components

1	Heater unit
1	Wall bracket
1	Remote control handset
2	AAA batteries for remote
2	L-shaped brackets
2	Blanking plates
4	Small end trims
2	Large end trims
24	4 x 8 mm Firebox screws
2	4 x 12 mm Firebox screws
12	Wall plugs
12	Fixing screws
2	Suite fixing brackets
1	Deluxe Real Log Fuel Bed

1200 Signature Log Fuel Bed Items

1	Box of Signature logs
1	Bag of slate
1	Bag of bark
1	Bag of husk
1	Bag of large crystals
2	Bag of small crystals

Qty New Forest 1900 Components

1	Heater unit
1	Wall bracket
1	Remote control handset
2	AAA batteries for remote
2	L-shaped brackets
2	Blanking plates
4	Small end trims
2	Large end trims
24	4 x 8 mm Firebox screws
2	4 x 12 mm Firebox screws
16	Wall plugs
16	Fixing screws
2	Suite fixing brackets
2	Glass suction cup handles
1	Deluxe Real Log Fuel Bed

1900 Signature Log Fuel Bed Items

2	Boxes of Signature logs
1	Bag of slate
1	Bag of bark
1	Bag of husk
2	Bags of large crystals
3	Bags of small crystals

PLEASE NOTE:
Deluxe Real Logs
are included if
purchased as an
upgrade, only.

4.0 Unpacking the appliance

870, 1200, 1600 & 1900

CAUTION:
This appliance is heavy. Always seek help whilst unpacking and/or during installation.

Please read all the instructions before continuing.

Before starting the installation of this fireplace, please read the following:

- The installation should be carried out by two adults to avoid injury or damage. If, for any reason, it is considered too heavy, please obtain assistance before moving the appliance.
- When lifting the electric appliance, always keep your back straight and bend from your legs. Avoid twisting at the waist upper body and top heavy bending. It is better to reposition your feet. Always bend from the knees rather than the waist. Do not lean forward or sideways while handling the appliance.
- Always grip the appliance with the palm of the hand – do not use the tips of fingers for support. Use gloves to provide additional grip.
- Always keep the appliance as close to the body as possible. This will minimise the cantilever action.
- Unpack all of the content from package and then lift the appliance gently out of the box. Place it on a flat surface with the front panel facing forward.
- Do not lift the appliance by the heater assembly outlets

ATTENTION
The New Forest 1900 is equipped with lifting handles to move and position the appliance. Please use these.



5.0 Appliance plug

BS1363 3-Pin Plug

WARNING:
Before enclosing the appliance, test the power in situation in order to ensure the power to the appliance working properly.

These appliances are supplied with a pre-wired three pin plug and 1.8 metres of electrical cable. It is therefore necessary for a suitable electrical socket to be located within this distance and be easily accessible. The appliances are suitable for installation in static holiday/park homes. The appliances may be hard wired into a fuse spur, providing that the fuse spur is external to the installation and easily accessible, this must be carried out by a service agent or competent person, such as a qualified electrician. This heater is for use on 220–240 volts. The cord is a 3-pin plug as shown and is 1.8m.

6.0 Site requirements

This appliance creates warm convected air currents. These currents move heat from the room surroundings along and up the wall surfaces adjacent to the heater.

If the appliance is to be secure on a dry wall or a timber framed construction then the integrity and ability of the wall to secure the appliance must be confirmed. It is important in these circumstances that any vapour barrier and/or structural members of the house frame are not damaged.

If you are unsure of the ability of the wall to secure the appliance and/or which type of wall fixing to use, you should take professional advice and obtain the correct fixings. Alternatively, find a more suitable wall location.

DO NOT run the power supply cable under carpets.

DO NOT site where the power supply cable would become a trip hazard.

DO NOT site in a position where curtains or drapes could cover the appliance, or other soft materials could cover e.g. below a coat rack.

DO NOT site behind an opening door where mechanical impact/damage could occur.

DO NOT sit, stand or forcefully pull on the appliance.

DO NOT obstruct, cover or force items into the openings.

DO NOT use the heater to dry clothes.

DO NOT site/use in an outdoor location(s).

7.0 Clearances – combustibles

The New Forest Electric Fire has no minimum clearance requirement to the floor and can be installed at any height to suit your design. For best viewing, position the grille at approximately eye level when seated.

The minimum distance to the front of the appliance is 900 mm and must be clear of curtains and drapes from covering the vents.

7.1 Clearances – non-combustible shelves

New Forest 870

If the stud wall immediately above the heater protrudes beyond the front of the appliance then the over-hanging section of the installation must be made from a non-combustible material, such as calcium silicate fireboard. **See Section 9.3 page 19 for more details**

New Forest 1200, 1600, & 1900

If the stud wall immediately above the heater protrudes beyond the front of the appliance then the over-hanging section of the installation must be made from a non-combustible material, 6mm minimum thick, such as calcium silicate fireboard. **See Section 9.4 page 19 for more details**

8.0 Preparing the appliance

Front-facing (one-sided) installation


Blanking plates and screws can be found in the polystyrene packaging

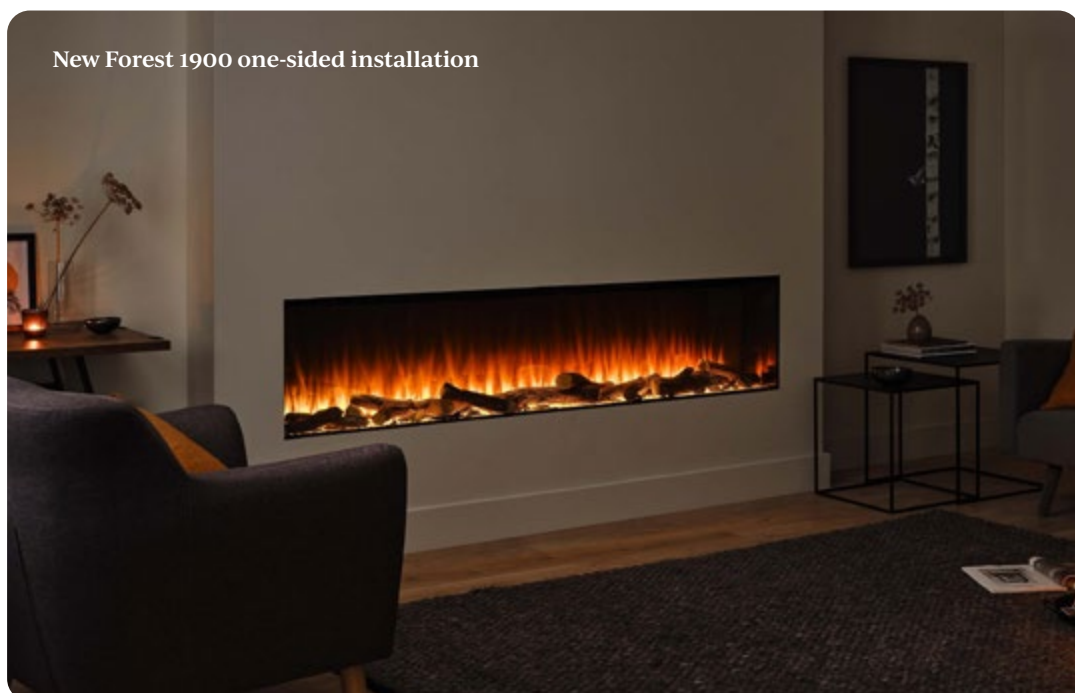
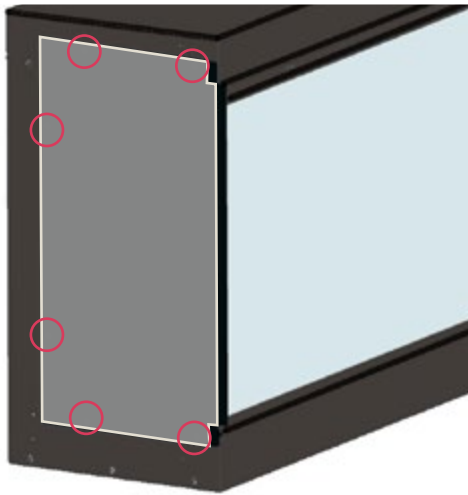
Adding blanking plates

See Figure A

1. Align the blanking plates with the six holes on the side of the firebox.
2. Once in the correct position, secure the blanking plate with the six screws provided.
3. Use the same process for both sides.

Figure A

Firebox screws 
Blanking plate 



8.1 Preparing the appliance

Cornered (Two-sided) installation

Blanking plates, trims and screws can be found in the polystyrene packaging. Install only one of the blanking plates on the end that will be covered. For the exposed side the trims will need to be used.

Adding blanking plates & trims

See Figures A and B

1. Align the blanking plates with the six holes on the side of the firebox.
2. Once in the correct position, secure the blanking plate with the six screws provided. Place both small trims into position, lining the screw holes up, then secure into place with the four firebox screws provided.
3. Secure in place the large trim vertically on to the side of the appliance in between the two small trims and secure into place with the two screws provided.

Figure A

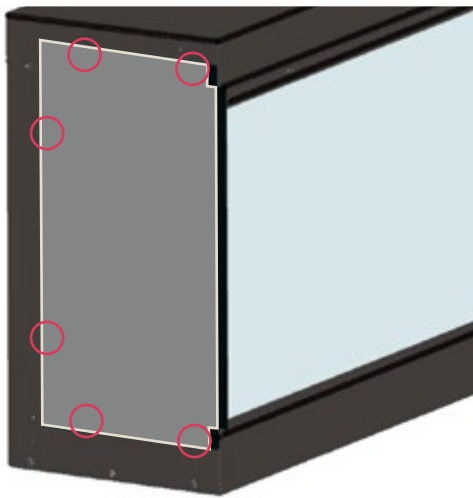
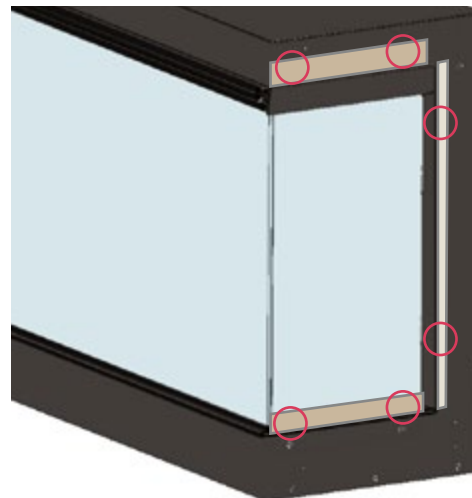




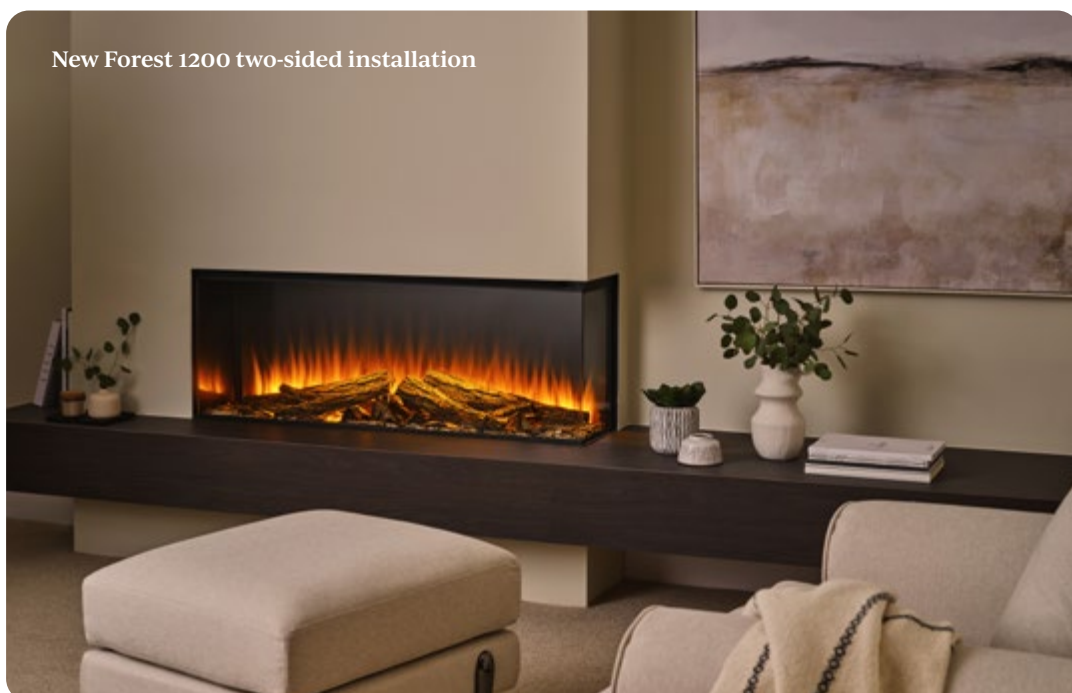


Figure B



- Firebox screws 
- Blanking plate 
- Large trim 
- Small trims 



New Forest 1200 two-sided installation

8.2 Preparing the appliance

Three-sided installation





Trims and screws can be found in the polystyrene packaging

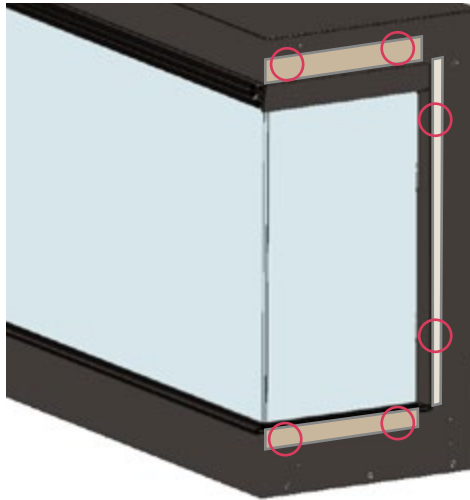
Adding the trims

See Figure B

1. Place both small trims into position, lining the screw holes up then screw into place.
2. Once the small trims are installed the large trim will be vertically placed in between the two small trims, as pictured below in Figure B.
3. Use the same steps for both sides.

Figure B

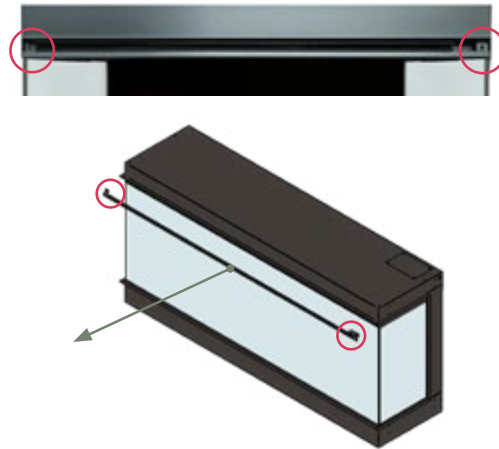
- Firebox screws 
- Blanking plate 
- Large trim (1x) 
- Small trim (2x) 



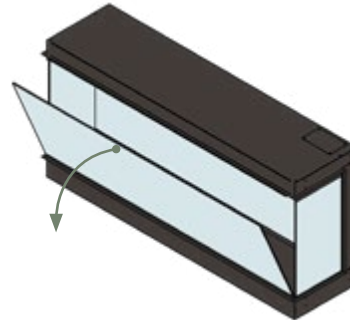
8.3 Removing the front glass

Removing the front glass of the New Forest 870, 1200 & 1600

1. Begin by removing Glass Retaining Bracket via two screws at each end of the appliance. Hold the glass in place while removing the screws and bracket.

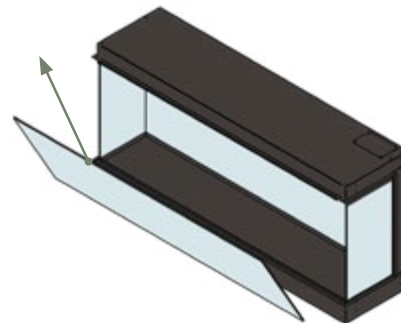


2. Gently lean the top of the glass outward while supporting it.



IMPORTANT:
We strongly advise that two people are used to remove the glass, both using protective gloves.

3. With a secure grip, lift the glass up and out from the appliance and place the glass on a soft, flat, surface. If it is difficult to remove, try tilting the glass slightly upward and outward at the same time to create less resistance on the bottom of the pane.
4. Insert your preferred fuel bed options as shown in the following pages in **section 10.0, pgs 19-24**
5. To re-install the glass, see the instructions in reverse order and operations.



8.4 Removing the 1900 front glass

Using the provided suction cups

1. Use a cross headed screwdriver to remove the screws from both ends of the top bracket of the appliance which holds the glass in place.

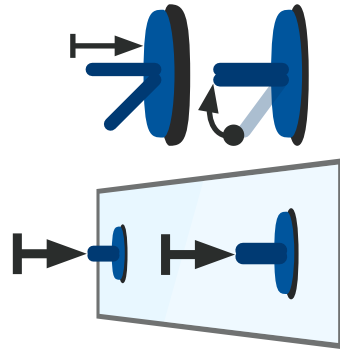


2. Use the suction cups provided to remove the front glass, ensure that the inside of the suction cups and the targeted surface on the glass is wiped clean with a clean lint-free cloth.

IMPORTANT:
Ensure the glass is
always supported.

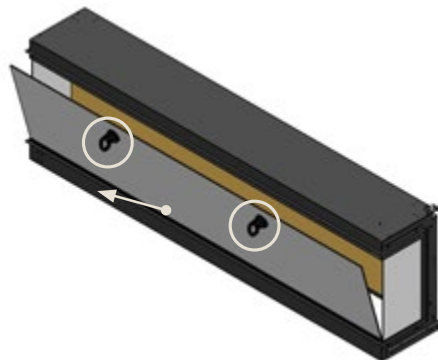


3. Open the handles of the suction cups and press them firmly onto the glass, ensure there are no air bubbles, then place the handles together on each suction cup. Ensure the cups are secure in position on the glass and lift.



4. Lift the glass upward and outward from the firebox and place on a soft, flat, surface. Insert your preferred fuel bed options as shown in the following pages in **section 10.0, pgs 26–29**, if applicable.

PLEASE NOTE:
To re-install the glass,
follow the instruc-
tions in the reverse
order.



9.0 Installation items to note

British Fires assumes absolutely no responsibility for injuries and damages that may occur due to improper installation or handling.

- Remove all protective film coatings from the appliance surfaces, if any.
- After selecting the installation position of the appliance check the strength of the wall and wall fixings will be able to support your electric appliance.
- If the appliance will be mounted on a dry wall or a timber framed construction wall two or more wooden studs should be used, or two or more supporting wooden members of the wall, using the fixing screws provided. If this is not achievable then the wall should be strengthened using appropriate building materials.
- Make sure to use the correct, load bearing, wall plugs – not plasterboard plugs.
- The wall that the appliance will be installed must be vertical and flat – avoiding sloped surfaces.
- Installation onto anything other than a vertical wall may result in fire, damage and/or injury.
- Do not block the ventilation holes of the appliance.

British Fires assumes absolutely no responsibility for injuries and damages that may occur due to improper installation or handling.

Remove any protective film coatings from the finished/decorative surfaces of the appliance, if any.

Before finalising the installation location, check the integrity of the wall will be strong enough to support the weight of the appliance, whether installed into or against.

To ensure customer safety, be sure to design the installation so that the strength of both the wall and any wall fixings used are sufficient.

Do not block the ventilation holes of the appliance. The wall onto which the appliance/stud wall is installed must be flat. Install only on a vertical surface. Avoid sloped surfaces. Installation onto anything other than a vertical wall may result in fire, damage or injury.

If the appliance is to be mounted on a dry wall or a timber framed construction wall then efforts should be made to fix into two or more wooden studs, or supporting wooden members of the wall using the fixing screws provided. If this is not achievable then the wall should be strengthened using appropriate building materials. Ensure that the correct wall plugs are used for the type of wall that the stud work is being connected to.

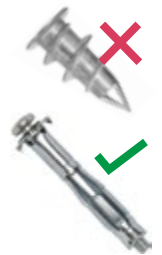
Ensure the plug or fuse spur is fully accessible.

The stud wall must include a header at the dimensions, highlighted on the following pages. This is to ensure that the weight of the finished wall is not resting on top of the appliance.

This appliance should be positioned on a firm level surface and in a clean ‘dust free’ environment. If fitted into an open chimney, the chimney must be blocked off to reduce the risk of draught and damp through the fire, which may cause the safety cut out system in the fan heater to operate.

IMPORTANT:
Ensure the plug or fuse spur is fully accessible.

WARNING:
The wall that the appliances are to be installed must be capable of long-term support of the total load of the appliance. It is recommended that the appliance is able to absorb and withstand the force of earthquakes, vibrations, and other external forces. Plasterboard, alone, is not considered to be a structural material. It is not recommended to rely on only plasterboard wall fixings to support the weight of the appliance.



9.0 Installation items to note – continued

IMPORTANT:
British Fires assumes no responsibility for injuries and damages that occur due to improper installation or handling.

The base opening/stud work must be able to support the full weight of the appliance.

Any protruding headers must be made of a non-combustible material. **See page 19.**

To install into a stud wall the mounting bracket must be removed from the rear of the appliance as shown in **section 9.7, page 23.**

Once the frame work has constructed and secured to the wall and the appliance is in its end position, ensure that there is power to the appliance before any cladding/plasterboard is installed.

IMPORTANT:
Before enclosing the appliance confirm the power to the appliance is working.

9.1 Installation items – flue & chimney New Forest 870 Cavity Box

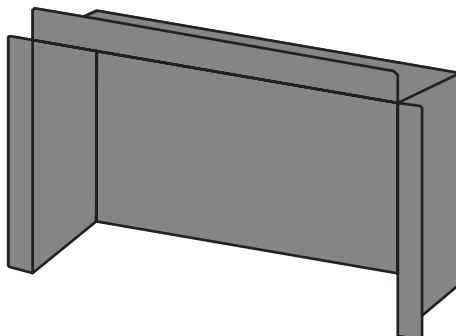
If installing the New Forest into an existing chimney breast, the flue must be completely blocked off! Please review the instructions included with the cavity box.

If a New Forest 870 is installed into an open chimney, that has been blocked off, British Fires recommends that an 870 cavity box is used in these types of installations. Therefore, the installer can guarantee that the flue has no adverse affects on the running of the appliance.

If there is a flue pull present, this can draw the hot air from the appliances outlet, back through the appliance causing it to overheat and triggering the thermal trip switch, safely cutting the appliances heater off, resulting in an **88** error code.

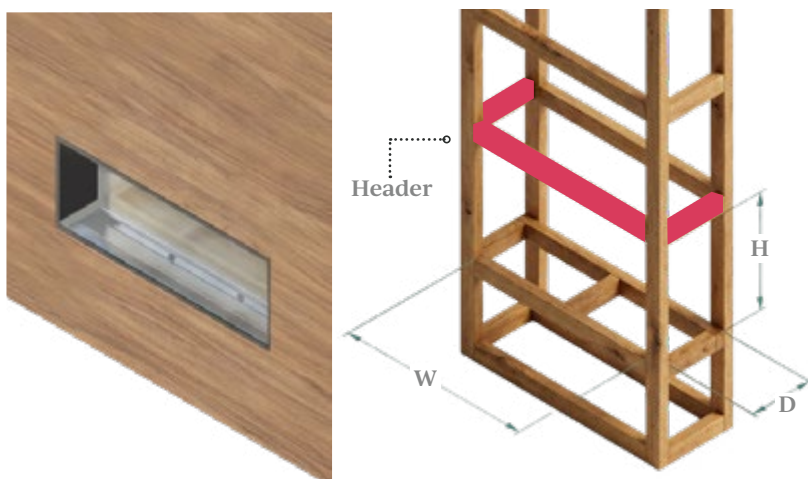
If blocking the chimney completely at the fireplace level, you must leave an air gap at the top, where the flue terminates. **NEVER**, block off at both the top and the bottom of the flue.

To prevent moisture building up inside the flue an air vent must be installed – either internally or externally.

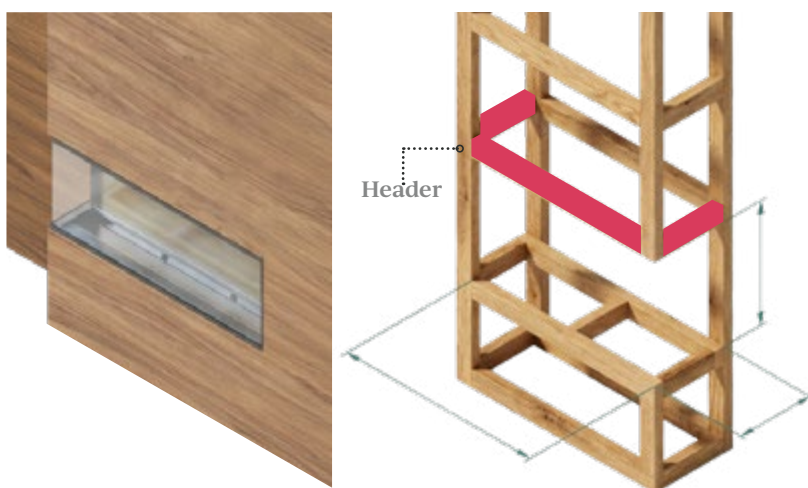


9.2 Installation options

Front-facing installation



Two-sided installation



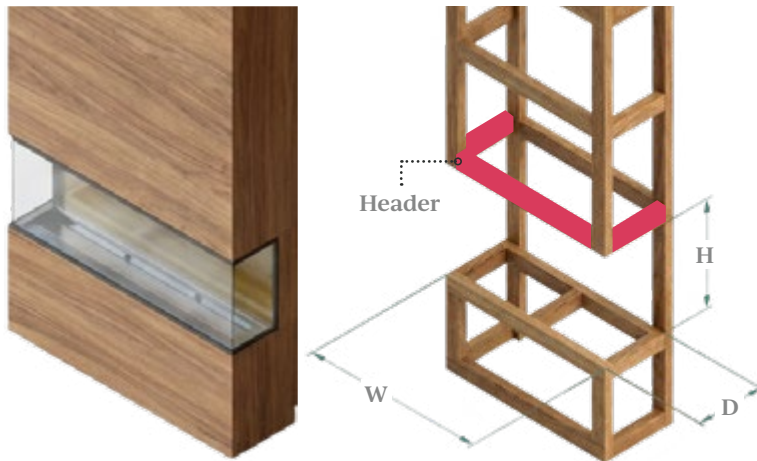
Opening dimensions for all install options

New Forest 870 mm		
H 470 mm	W 847 mm	D 300 mm
New Forest 1200 mm		
H 570 mm	W 1180 mm	D 300 mm
New Forest 1600 mm		
H 570 mm	W 1580 mm	D 300 mm
New Forest 1900 mm		
H 570 mm	W 1904 mm	D 300 mm

Three-sided installation on next page

9.2 Installation options

Three-sided installation



Opening dimensions for all install options

New Forest 870 mm		
H 470 mm	W 847 mm	D 300 mm
New Forest 1200 mm		
H 570 mm	W 1180 mm	D 300 mm
New Forest 1600 mm		
H 570 mm	W 1580 mm	D 300 mm
New Forest 1900 mm		
H 570 mm	W 1904 mm	D 300 mm

9.3 New Forest 870 shelf clearances

Offset overhang

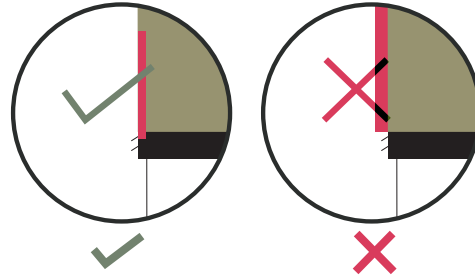


10cm deep
x 5cm high

2cm deep
x 3cm high

***Shelving clearances pictured above must be followed for the New Forest 870. Failure in following the guidance may cause the thermostatic control to switch off the thermal trip.**

Direct overhang

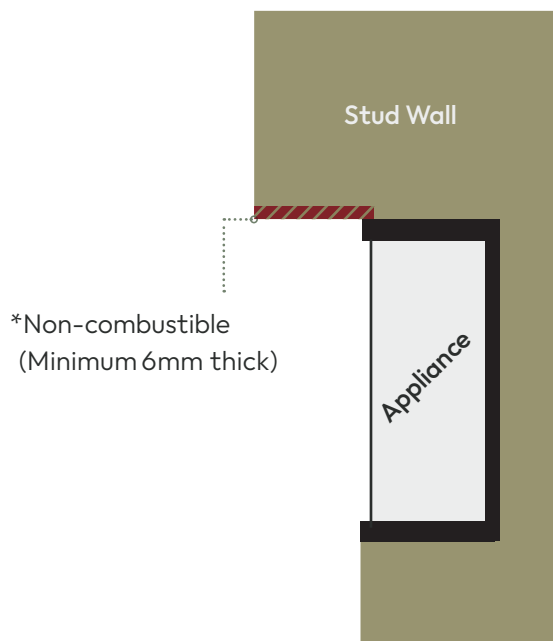


Flush to the edge
directly above
the heater

Overhanging
directly above
the heater

9.4 Non-combustible overhang requirements

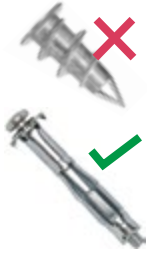
New Forest 1200, 1600 & 1900 advisory



***If the stud wall immediately above the heater protrudes beyond the front of the appliance then the over-hanging section of the installation must be made from a non-combustible material, such as calcium silicate fireboard.**

9.5 Installation – studwall fixing False chimney breast construction

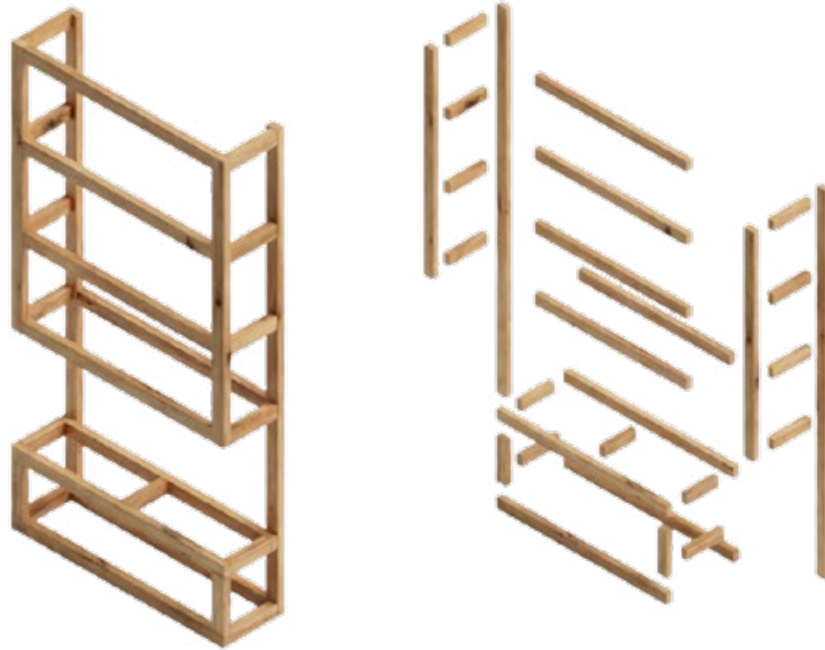
WARNING:
The wall that the appliances are to be installed must be capable of long-term support of the total load of the appliance. Measures should also be taken to ensure sufficient strength to withstand the force of earthquakes, vibration and other external forces. Plasterboard alone is not considered to be a structural material. It is not recommended to rely on plasterboard fixings alone to support the weight of the appliance.



PLEASE NOTE:
Before drilling into walls, always check that there are no hidden wires, pipes, etc. Make sure that screws and wall plugs supplied are suitable for supporting the unit in your surface. Consult a qualified person if required.

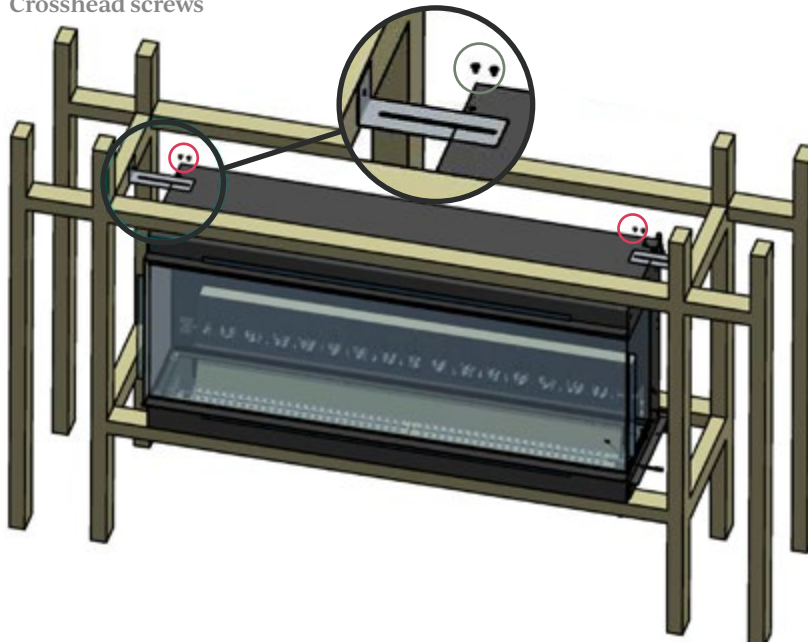
1. Prepare framework to desired dimensions. See specification sheets on **Pages 46–49**, for complete dimensions.
2. Build frame work and inset the fire.

Ensure the structure is safely secured to the wall using the appropriate fixings method and able to support the full weight of the appliance. Please see **section 9.0, on pages 15–16**, for further information.



3. Insert the appliance into the false chimney breast. Using a cross headed screw driver screw the L shaped wall brackets onto the top of the appliance with the four 4 x 8 mm firebox screws provided to suit your preferred installation. (Side fixing or rear fixing.) With a pencil mark through the wall fixing bracket on to the wall/ studding where you wish to attached the appliance to the structure.

○ Crosshead screws

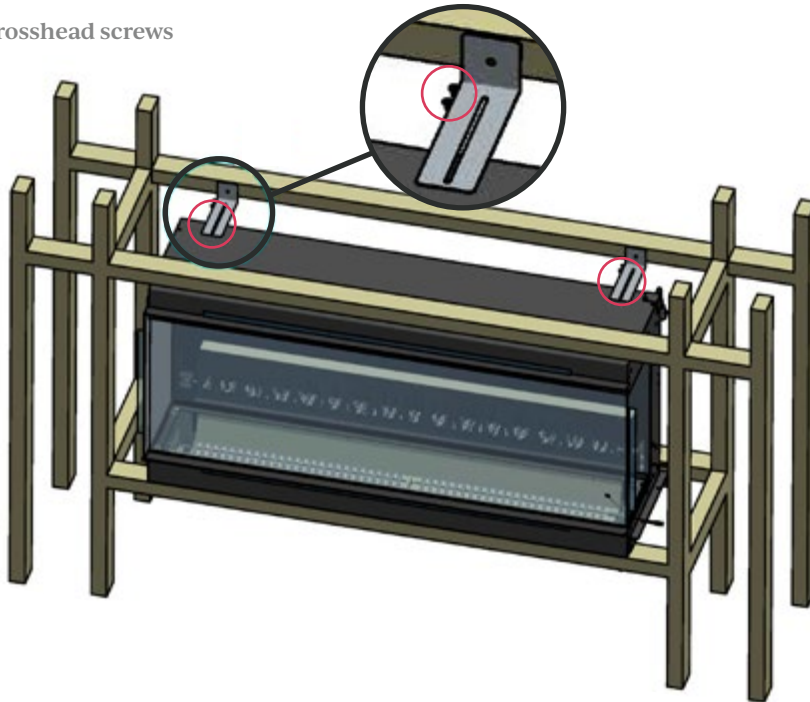


9.5 Installation – studwall fixing

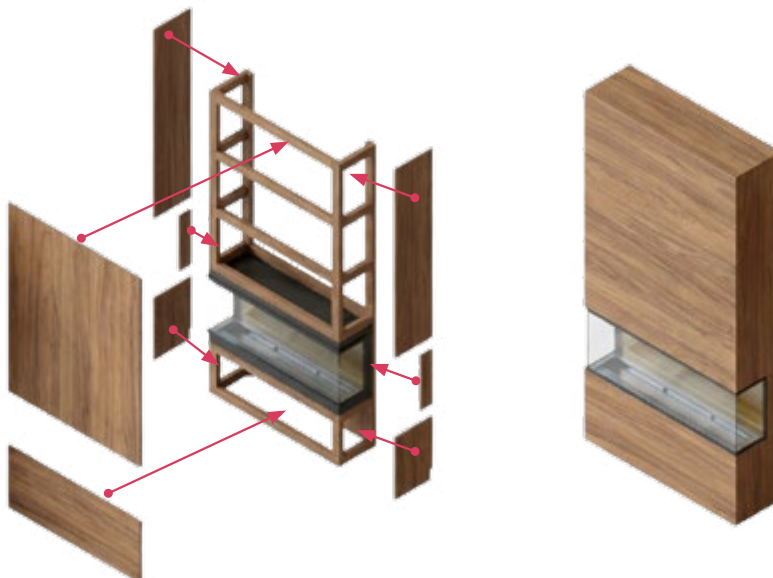
False chimney breast construction

1. Remove the appliance and brackets from the position and use an appropriate sized drill for the chosen wall fixing. If the appliance is to be installed into a brick masonry wall the supplied wall plugs can be used, to use these wall plugs drill an 8 mm wide x 50 mm deep hole into the wall.
2. Insert the two wall plugs into position, then return the appliance to its finished position. Screw the wall screws through the wall brackets on the appliance and into the wall plugs in the wall and tighten, securing the appliance into position.
3. Once the appliance is in the correct position plug the appliance into the wall and check the power to the appliance. Refer to **sections 11.0 and 12.0, pages 33–37** on how to sync the remote and operate the appliance.

○ Crosshead screws



4. Add finishing boards. See the **No Drill Section 9.6 on page 22** before any drilling.



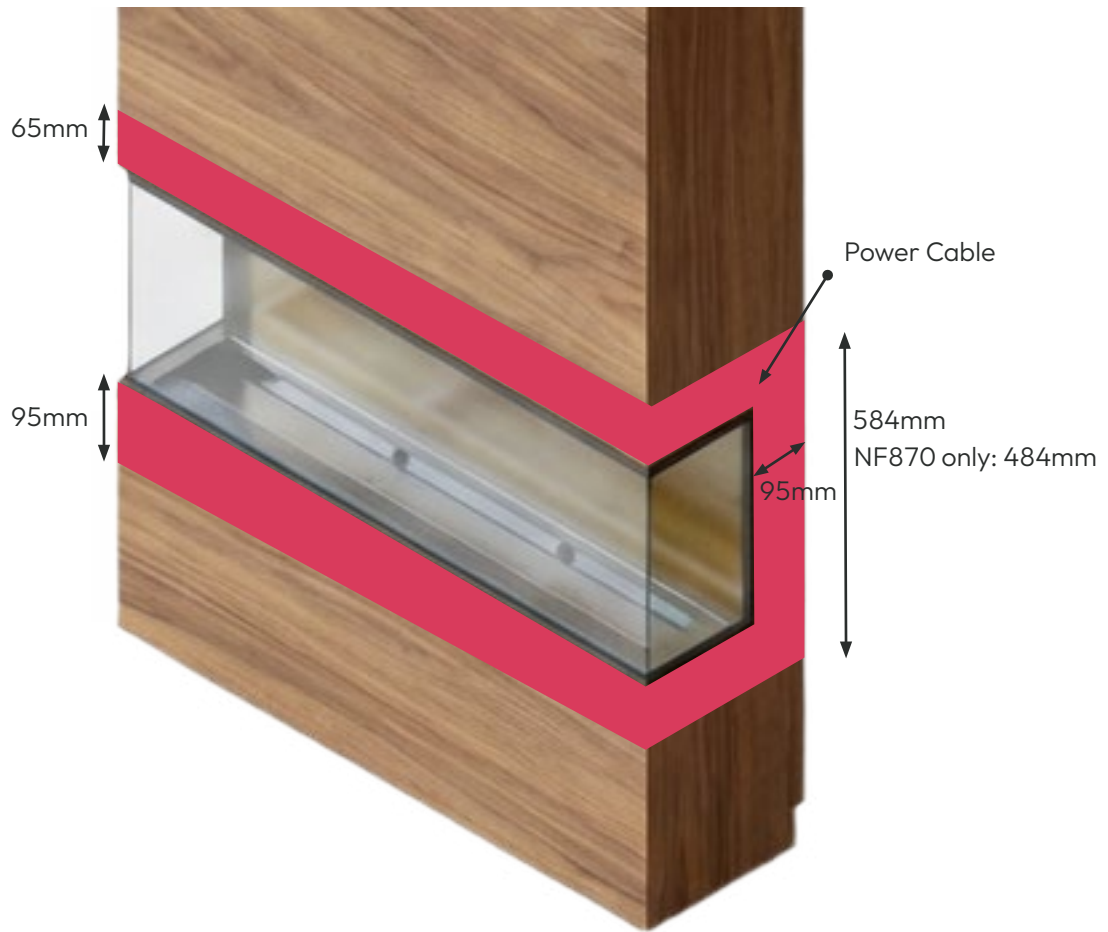
IMPORTANT:
The fire must be in place before starting this stage.

PLEASE NOTE:
Before drilling into walls, always check that there are no hidden wires, pipes, etc. Make sure that screws and wall plugs supplied are suitable for supporting the unit in your surface. Consult a qualified person if required.

9.6 No drill section

Do not drill through highlighted section below

IMPORTANT:
Do not drill through the appliance when installing the cladding into position!
The power cable is located on the rear right hand side of the appliance!

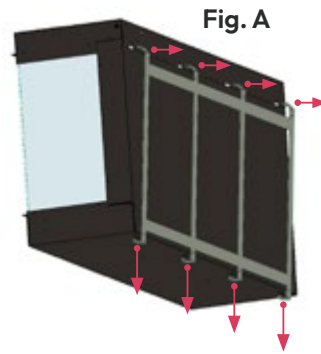


9.7 Installation – wall hung

Before installing the appliance onto the wall with the suite, secure the side-trims on each side of the appliance as described in section 8.0–8.2 on pages 10–12, Preparing the Appliance.

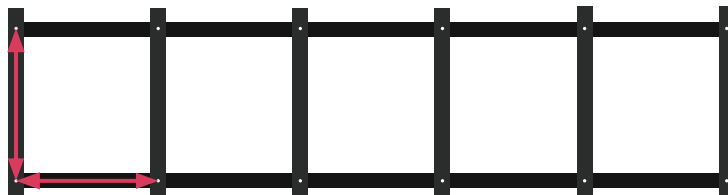
The installation should be carried out by two physically-able adults to avoid injury or damage. If it is considered too heavy, please seek assistance.

1. Remove the wall mounting bracket from rear of the appliance by moving the bracket down and out from the appliance. See Figure A.
2. Find the optimal place to mount your appliance. Consider the proper position relative to the placement of furniture and windows within the room.



3. Hold the mounting bracket up to the wall to verify the correct location and ensure that the mounting bracket is level. Using the mounting bracket as a template, and a pencil, mark the holes of the bracket on the wall at the desired hanging location. See wall bracket diagram with dimensions and anchor point counts below.

Frame dimensions (hole to hole) New Forest 1900 shown below



Height of all New Forest models: 450mm

Width of New Forest 870, 1200, & 1600: 350mm

Width of New Forest 1900: 342mm

Anchor points on wall bracket frame

New Forest Wall Bracket anchor points			
New Forest 870	New Forest 1200	New Forest 1600	New Forest 1900
6x	8x	10x	12x

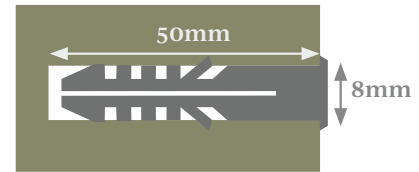
PLEASE NOTE:
If installing the mounting bracket to a wall stud, there is no need to drill the holes in the wood and no need for the plastic wall anchors. It is recommended to install the mounting bracket to at least one wooden stud.

PLEASE NOTE:
Before drilling into walls, always check that there are no hidden wires, pipes, etc. Make sure that screws and wall plugs supplied are suitable for supporting the unit in your surface. Consult a qualified person if required.

9.7 Installation – wall hung

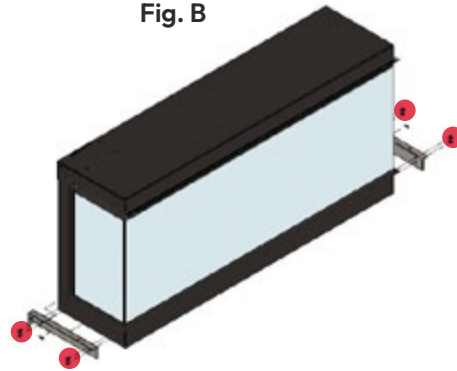
4. Drill 8 mm wide x 50mm deep holes onto the marked points.
5. Tap wall anchors into each of the pre-drilled holes with a hammer until they are flush with the wall.
6. Secure the bracket to the wall with the fixing screws.

8 x 50mm Drilling Diagram



7. Install the suite fixing brackets to both sides of the appliance by lining up all screw holes on the bracket and the appliance. Once lined up screw the 4 x 8 mm screws to secure the two brackets to the bottom sides of the appliance **as shown in Figure B**.

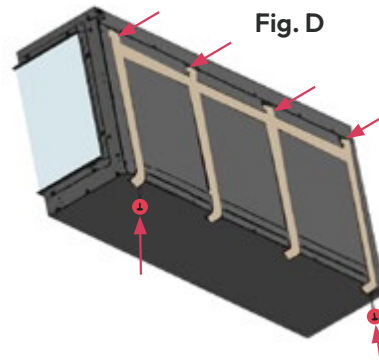
Fig. B



8. Install the appliance onto the mounting bracket on the wall.
9. Mark the holes in the end of the suite fixing brackets against the wall.
10. Remove the appliance off of the wall.
11. Drill an 8 mm wide x 50 mm deep hole on both sides of the appliance.
12. Tap the two wall anchors into the pre-drilled holes with a hammer until they are flush with the wall.

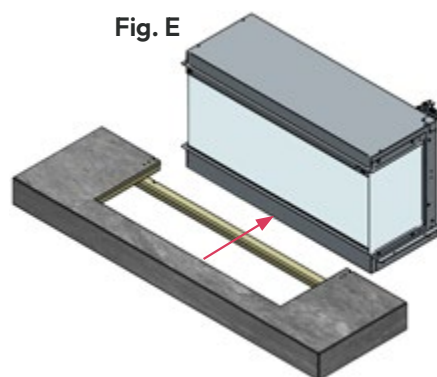
13. Install the appliance back onto the wall mounting bracket as shown in **Figure D**.
14. Screw the wall screws through the rear of the suite fixing brackets into the wall plugs.
15. Using the two 4 x 12mm screws from the fixing kit, screw the mounting bracket into the bottom of the firebox.

Fig. D

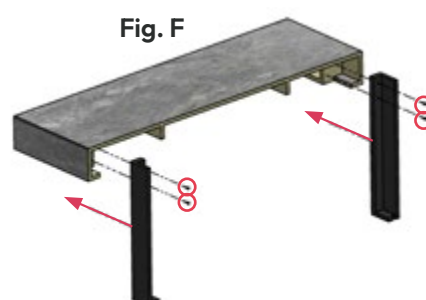


9.7 Installation – wall hung

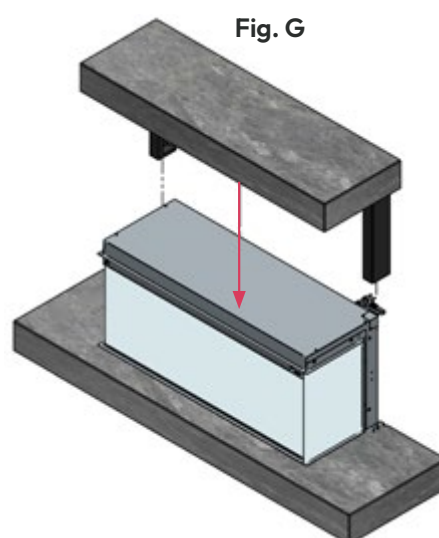
16. Slide the bottom of the suite onto the suite fixing brackets as shown in **Figure E**.



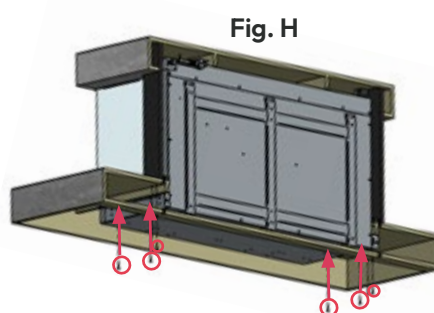
17. Screw the two legs of the suite from the rear onto the back of the top section of the suite as shown in **Figure F**.



18. Carefully lower the top section of the surround onto the top of the firebox as shown in **Figure G**.

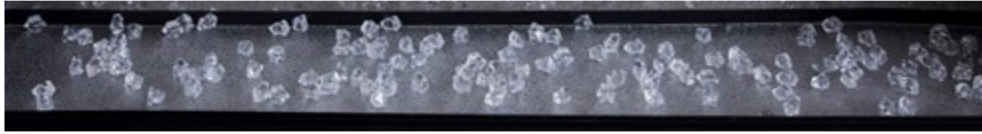


19. Using the suite screws, screw up through the bottom of the suite, through the suite fixing brackets and into the legs of the top section as shown in **Figure H**.



10.0 Signature Logs forest view layout

Forest View



1. Taking a small amount of the small crystals, scatter randomly over the frosted base as shown above.



2. Use the contents from the Forest terrain bag and place this in the formation shown above, towards the front and sides of the frosted base. There should be a single layer to cover this area of the frosted bed and the crystals still visible.



3. Using the contents from the Husk bag, cover the area on the frosted bed that is still exposed, making sure the crystals are still visible.



4. Use the slate pieces and place these randomly on the bed as shown above.

IMPORTANT:
Place the logs carefully on the fuel bed so you do not make contact with the rear and side glass. Contact with glass may cause damage.



5. Place the logs on top of the base layer created by the Crystals, Bark, Husk and Slate pieces. The logs can be placed in any order but, for this look the larger logs are in the centre with the remaining logs around them.



10.1 Signature Logs slate effect layout

Slate View



1. Evenly scatter the small crystals over the frosted base as shown in the image above. The crystals should be spread out across the whole base and form a layer covering the whole area.



2. Take the two types of the slate effect pieces and spread these evenly throughout, on top of the bed of crystals.



3. Place the logs on top of the base layer created by the crystals and slate pieces. Position them as shown in the image above. The logs can be placed in any order, we have used the larger ones as centre pieces and placed the remaining logs around them.

IMPORTANT:
Place the logs gently onto the fuel bed tray ensuring you do not make contact with the rear or side glass. Knocking the glass may cause damage.



10.2 Diamond Light fuel bed layout

Evenly scatter the Small crystals across the entire frosted fuel bed tray, covering the whole area.

For the best results, remove a handful of the Small crystals and place the Large crystals directly on the frosted tray. The fuel bed lighting will fully illuminate the Large and Small crystals.



10.3 Deluxe Real Log fuel bed layouts

Campfire arrangement



IMPORTANT:
The logs and charring are indeed real so, the scorch marks will rub off if touched.

Scattered arrangement



IMPORTANT:
Please do not clean the logs with a wet or damp cloth. Use a dry duster, instead.

There are two screws that hold the fuel bed in place. They are located in the front corners for all models.

If removing the Deluxe Real Logs, it is recommend to support the fuel bed by the tray base and not lifting solely by the logs.

PLEASE NOTE:
Every Deluxe Real Log arrangement is bespoke, therefore, there will be small differences due to the nature of using real logs.

10.4 Installing front-facing finishing trims

Not included as standard – additional purchase required

After your fire has been fully installed and all decorating and design has been completed now is the time to add the finishing touch with your additionally purchased finishing trim. For use with front-facing (one-sided) installations.

To install, simply align the trim to the inner frame of the fire and insert carefully so it can be secured with the magnets to the firebox.



Share your finished installation with us!

You are invited to join our social community and share your British Fires project with us online. We love to see the different styles and trends our fires work with when displayed in all their glory.

How to share your British Fires project with us

1. Upload an image or video to showcase your finished installation.
2. Tag us on one of the social media sites listed below for a chance to get featured.

 facebook.com/britishfiresuk

 [@britishfires](https://instagram.com/britishfires)

 tiktok.com/@britishfires

 youtube.com/@britishfiresuk





Nothing like a British Fire.

User Instructions

11.0 Pairing the remote control	33
12.0 Operating the appliance	34-37
12.1 Setting the Weekly Timer	38
13.0 Safety cut-out system	39
14.0 Cleaning and maintenance	39
15.0 Troubleshooting guide	40-45
18.0 Specification Sheets	46-49
18.0 Servicing	50
19.0 T&Cs, Guarantee	51

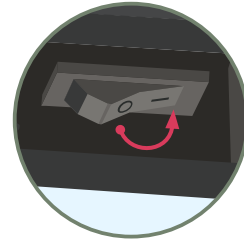
11.0 Pairing the remote control

Powering on the appliance

The ON/OFF switch is located on the front, top right side of the appliance. Press the I/O button once to turn the fire on. The appliance will then automatically start with the flame-effect activated.

Steps to pairing remote

1. Turn the power of the appliance **ON (I)** at the main **ON/OFF** switch, located front top right of the firebox.



2. Within **one minute** of powering on press and hold 🔥 and 🔌 buttons on the remote for **three seconds** to initiate pairing.



3. The remote display will flash **bl** for **10 secs**, then return to the previous display.



4. The remote is now paired to the appliance and ready to use.



Scan to watch how the remote is paired



12.0 Operating the appliance

The ON/OFF switch is located on the front, top right hand side of the appliance.
Your model may require pressing the I/O button once to turn the fire on.

Remote control

The button distribution of the remote controller is as shown right, and the current state information of the electric fireplace, such as the flame-effect, fuel bed, setting, temperature and time set, are all displayed remote control screen.

1. Standby

Turns the appliance ON/OFF standby, the default settings are: heater set to 82°F/27°C, the main flame effect is F1, the Fuel bed is L1 (no temperature display).

2. Flame Control

Changes the flame effect brightness F1, F2, F3, F4, F1 (cycle adjustment)

3. Heater

The Heater button switches to the temperature adjustment option when the weekly timing function is adjusted. Then use the ⊕ and ⊖ buttons to select the desired temperature. The temperature cannot be adjusted while the daily timer control is in use. Only the heating function can be switched.

Temperature Setting range:

Centigrade: 17-27° Fahrenheit: 62-82°

To change the temperature reading from Centigrade to Fahrenheit, or vice versa, Press and hold the  heater button for three seconds.

4. Fuel Bed

Changes the colour of the fuel bed. L1, L2, L3, L4, L1 (cycle adjustment).

5. Sleep Timer

Adjusts the timer: 1H, 2H, 3H, 4H, 5H, 6H, 7H, 8H, 9H, OF, 1H (cycle).

6. Down Lights

Turn the downlights ON or OFF.

7. Time and Week Settings

Press to enter the time and week timer settings.

8. Lower temperature

Press to lower the temperature by -1° incrementally.

9. Raise Temperature

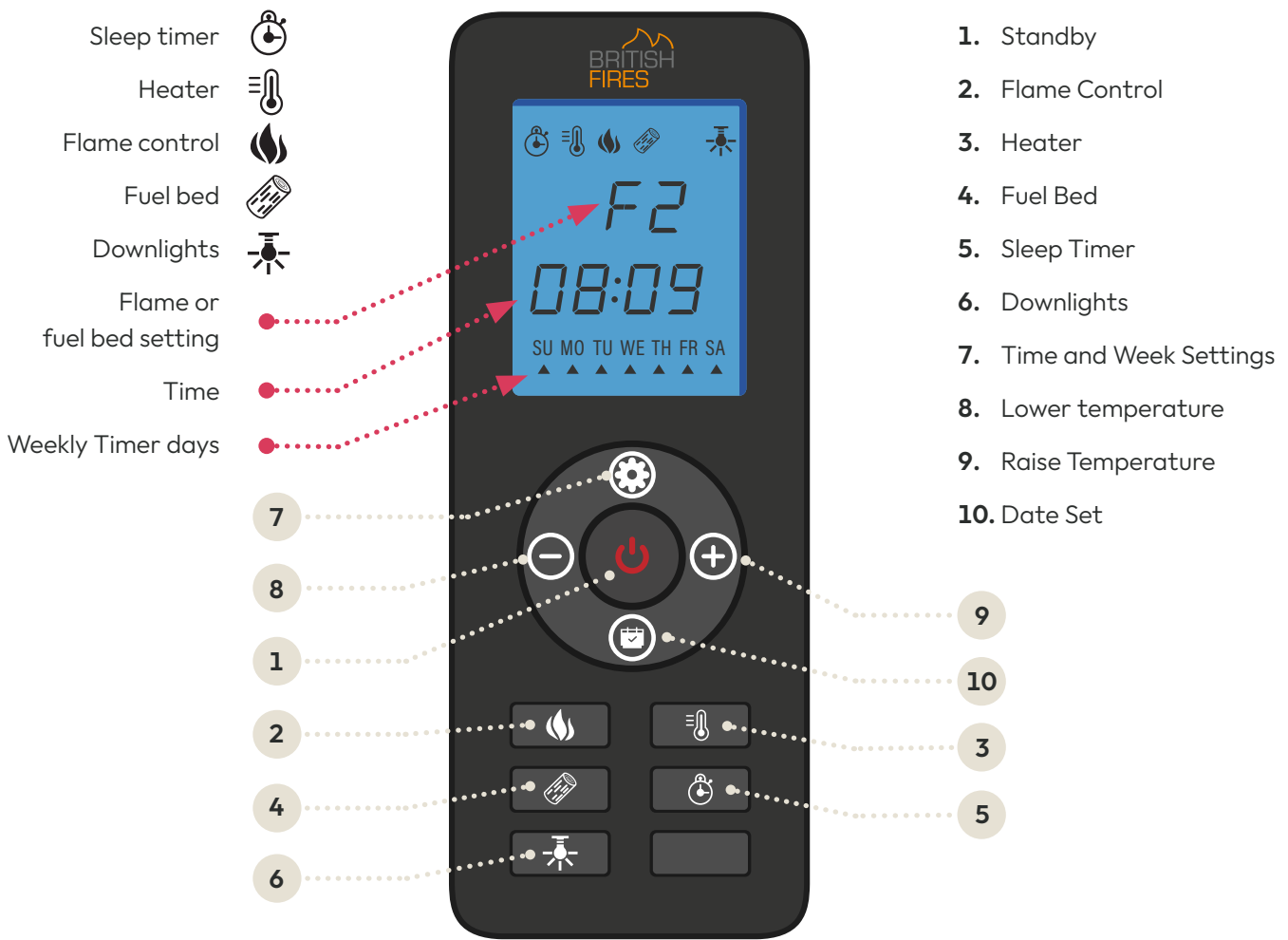
Press to raise the temperature by +1° incrementally.

10. Date Set

To choose from Monday to Sunday or week timer mode option.

Option mode: 1-2-3-4-5-6-7-A-oF.

12.0 Operating the appliance





12.0 Operating the appliance

Standby Button:

Turns the appliance ON and OFF.


Changing flame-effect:

When powered on, press  to adjust the flame height. The  icon will appear on the remote display. The flame brightness settings are as follows:

Button	Display	Flame Effect
1st Press	F1	Full
2nd Press	F2	Medium
3rd Press	F3	Low
4th Press	F4	Cycle through settings

Heating operations:

Press the  to turn the heating function ON/OFF and adjust the temperature setting. The temperature is set in increments of one degree. i.e: 17°, 18°, 19°, etc.

Press and hold  for three seconds to convert the temperature unit from °C to °F. The temperature display icon will flash. After the temperature is set, the display unit will flash five times and automatically save the settings then exit the setting state. After the display unit is turned on, if there is no operation within 10 seconds, the setting status is also exited.

Fan delay function:

The appliance will continue running for 15 seconds after the appliance is turned off.

Open window detection function

When the appliance is heating and the ambient temperature suddenly drops $\geq 5^{\circ}\text{C}$ within 10 minutes, and the environment cannot be warmed up within 30 minutes the appliance will automatically display **OP**. The heating function will then be automatically turned off, and when the **OP** is displayed, it can be turned off and then restarted by turning off and on the appliance to clear the fault code.

This appliance has a non-self-resetting overheat protection device (thermal cut-out) which will activate if the air inlets or outlets are obstructed. For safety reasons the fire will NOT switch on again automatically.

The following procedure must be carried out before the fire can be operated.



1. Switch OFF the appliance at the wall socket or outlet.
2. Leave the fire OFF for at least 10 minutes. Check any obstructions are removed.
3. Switch the appliance ON at the wall then turn the appliance ON at the rocker switch. If the fire fails to operate correctly, repeat the above procedure.

Refer to **section 13.0, page 39** for more info about the Safety Cut-Out System.

PLEASE NOTE:
The flame-effect will remain operational if the cut-out is activated, only the fan heater is prevented from working.



12.0 Operating the appliance

Fuel bed colour options:

Once powered, press the  button to change the fuel bed colour. The  icon will be displayed on the remote. The colour options are as follows:

Button	Display	Flame Effect
1st Press	L1	Orange
2nd Press	L2	Blue
3rd Press	L3	Pink
4th Press	L4	Cycle through settings


Setting sleep timer:

While the Weekly Timer is operating, press the  button to adjust the time. Each press increases the duration by one hour. (You can't enter the weekly timing selection, you can only adjust the current automatic shutdown time. This function is available when the Weekly Timer function is turned on). The  icon will show when in use. **Timing range:** 1H, 2H, 3H, 4H, 5H, 6H, 7H, 8H, 9H, OF(off), 1H (cycle).







Control down lighting:

Turns the downlights on and off. The  icon will show on the remote when activated.

Setting clock and timer:


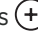

Use the  button to choose from Monday to Sunday or week timer mode option. Option mode: 1-2-3-4-5-6-7-A-oF.

Clock setting:

1. In the standby state (after the unit is plugged in and before powering on at the appliance switch), press and hold the  on the remote for three seconds, the digital display will then flash 00:00.
2. Press  on the remote control to set the hour, press the remote control  to set the minutes.
3. Press  to enter the setting of the Weekly Timer. Press  to select Sunday to Saturday. The calendar icon will light up after the day is selected. When finished, press the  to exit setting.

PLEASE NOTE:
The current clock must be set after the initial power-on or power-off, otherwise the clock will remain 00:00 status and setting the weekly timer function won't be possible.







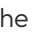



Heat settings:

Use the remote control's Heater button  to select the temperature. The system default parameters are: 27°C. Press  and  buttons to select the temperature when the heating is turned on. Temperature range: 16°- 27°C; ON; 16°C; (Cycle).










12.1 Setting the Weekly Timer

IMPORTANT:
The clock on the remote must be set before programming any weekly timer functions.

Setting the time and days for the appliance to TURN ON





1. While in the standby state, press the  button on the remote for three seconds to enter the Weekly Timer Mode 1 (of 7). In **mode 1**, the display reads: **1 ON**, the clock reads: **01:00**, press  to set the hour, press  to set minute for the appliance to automatically turn on. Then press  to set the day(s) of the week for the appliance to turn on at the set time. Every press on the  will jump through SU, MO, TU, WE, TH, FR, SA and flash in turn. Press  to select or de-select the desired day of the week – the  indicates the selected days. Press the  button to enter the temperature setting, then press the  and  button to set temperature.

Setting the time and days for the appliance to TURN OFF

2. Press  to set the OFF time – the display reads: **1 OFF** and the clock states: **02:00**. Then, press  to set hour and press  to set the minute for the appliance to automatically turn off. The date of the timer OFF is the same as the timer ON and can't be changed manually. After setting, press  to enter the setting of **mode 2**, which operates the same as mode 1. You can set Mode 2 through 7 with steps 1 and 2. Press and hold  or  on the remote for three seconds to save the setting and exit Weekly Timer setting.
3. After the preset timing on/off switch, you can use the clock/timer  button to select the desired timing mode 1-2-3-4-5-6-7- auto option, after the option shows five seconds without any operation, it will save the selected option and enter the current setting of the option, the timer icon will display and automatically run the preset timer program. You can individually select each setting of modes 1-7 for automatic on/off modes, or you can preset the desired settings, and then select **auto mode** for multiple preset series programs.
4. To set the ON/OFF mode and temperature setting for different periods of the week, then set the switching time and temperature of each day from Sunday to Monday in mode 1-7. After setting, use the **auto mode** to run the ON/OFF programs and the system will run each of the Weekly Timer modes 1-7. It is possible to set modes 1-7 within one day by using the **auto mode** to run ON/OFF programs within one day.
5. After entering the Weekly Timer setting, press and hold the  button for three seconds to exit the Weekly Timer mode. The timer icon will be removed. The timer settings (1-7) can be reviewed by pressing the  button.

IMPORTANT:
Be aware that when you use auto mode, you need to make sure the settings of times doesn't overlap each other, otherwise the timer will not operate.

PLEASE NOTE:
It can be helpful to make note of the programmed ON/OFF times and temperatures if dealing with multiple weekly timer settings.

For example: press  to display **(1 ON / 01:00 / 27°C)**, then press  again to display **(1 OFF / 02:00 / 27°C)**. Press the  button once more to display **(2 ON / 03:00 / 26°C)**. Press  again to display **(2 OFF / 13:00 / 27°C)**. So, and so forth, to view the other programmed modes.

The remote control must be kept within four meters of the appliance. This will prevent losing connection and causing the remote or appliance to fail due to the distance being exceeded when operating the Weekly Timer. After the Weekly Timer is turned on, the remote automatically initiates the pre-programmed ON/OFF times and temperature settings.

13.0 Safety cut-out system

When the appliance will be cut-out

This appliance has a non-self-resetting overheating protection device (thermal cut-out) which will activate if the air inlets or outlets are obstructed. For safety reasons the fire will NOT switch on again automatically.

PLEASE NOTE:
During the cut-out test the fire will automatically display '88'.

How to reset the appliance to switch back on

The following procedure must be carried out before the fire can be operated again:

1. Switch OFF the appliance at the wall socket or outlet. Leave the fire OFF for a period of no less than 10 minutes, ensuring all obstructions are removed.
2. Switch the appliance to ON at the wall outlet.
3. Turn the appliance ON at the rocker switch, located front top right of the firebox.

What to do if the appliance fails to switch back on

If the fire fails to operate correctly, repeat steps one and two. If an attempt to switch on the appliance is made before the safety cut-out has reset, the appliance may cut-out for a further period of time.

If the sequence has been followed correctly and the appliance still fails to function, check the fuse in the wall outlet. If this is not the cause, call an electrician or maintenance engineer.

PLEASE NOTE:
The flame-effect will remain in operation if the safety cut-out is activated. Only the fan heater will be prevented from working.

14.0 Cleaning and maintenance

For general cleaning, use a soft clean duster or wiping with a dry cloth is normally sufficient. Never use harsh abrasives or cleaners as they can damage the finish. Other than regular cleaning of dust, there are no specific requirements for care.

Make sure the heater outlet and inlet grille (located on the top, front, centre of the appliance) is kept clear of dust, pet hair, and other airborne household debris. This should be periodically vacuum-cleaned with a soft bristle attachment.

The glass panels should be cleaned carefully with a soft cloth. Remove the front glass pane to access inside of the pane. Please refer to **section 8.3–8.4 on pages 13–14** to do this. We recommend any cleaning agents designed for window-use only.

CAUTION:
Disconnect the appliance from the main power supply before cleaning or maintenance!

Handset Battery Replacement

The remote control requires two AAA 1.5V batteries

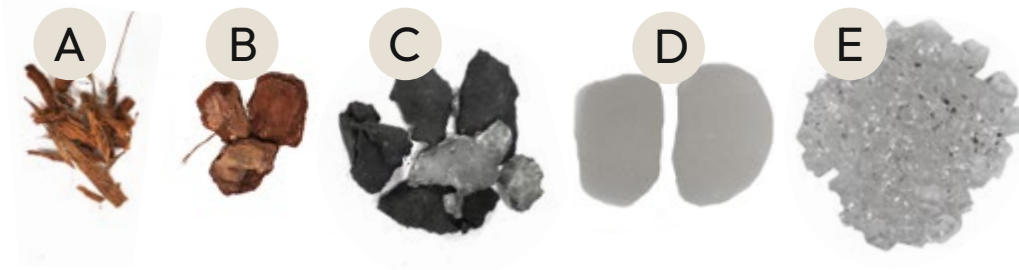
1. Remove the battery cover and used batteries and replace with two new AAA batteries of the same kind. Insert as indicated on the device.
2. The remote will need to be repaired to the appliance. Refer to **section 11.0 Pairing The Remote Control on page 33**.

15.0 Troubleshooting guide

My New Forest Electric Fire...	Remedy
is not switching on	Ensure mains switch is on.
is not emitting any heat	<p>The fire is fitted with an energy saving thermostat. If the temperature in the room is higher than the temperature selected on the fire, then the thermostat will stop the heater from turning on. For example, if the room temperature is 22°C or above and the fire's heater is set at 22°C, then the heater will not be required until the room temperature drops below 22°C. If this is the case select a higher temperature setting than the room's temperature and the heater will begin to operate.</p> <p>The safety cut-out may have been operated. Switch the appliance off, leave for 10 minutes then switch back on.</p>
shuts off after a period of time	<p>Check that the temperature is not set onto a lower settings. If the room is warm enough the thermostat will stop the heat from switching on.</p> <p>Check that the air inlet/outlet is not blocked.</p> <p>Check that the window detection sensor has not been activated.</p>
Display panel shows	<p>88 There is a fault with the heater. Check that the temperature is not set onto the lower settings. If the room is warm enough the thermostat will stop the fire switching the heat on. Check that the air vent are not blocked off.</p>
	<p>EE There is an electrical fault. A service engineer will need to check the thermostat for any loose connections.</p>
	<p>OP The open Window Detection function is in operation, this operates when the appliance is heating and the ambient temperature suddenly drops $\geq 5^{\circ}\text{C}$ within 10 minutes, and the environment cannot be warmed up within 30 minutes, resulting in the appliance automatically displaying OP. The heating function will then be automatically turned off, and when the OP is displayed, it can be turned off and then restarted by turning off and on the appliance to clear the fault code.</p>

16.0 Spare parts

Signature fuel bed item part numbers



Appliance	A. Husk	B. Bark	C. Lt & drk slate	D. Large crystals	E. Small crystals
NF870	F780135	F780134	F790058	F780133	F780132
NF1200	F780135	F780134	F790058	F780131	F780130
NF1600	F780135	F780134	F790058	F780131	F780130
NF1900	F780135	F780134	F790058	F780131	F780130

Signature Logs



ATTENTION:
The New Forest 1600 & 1900 comes with additional small logs from the numbered list.

Campfire Log Fuel Bed Part Numbers



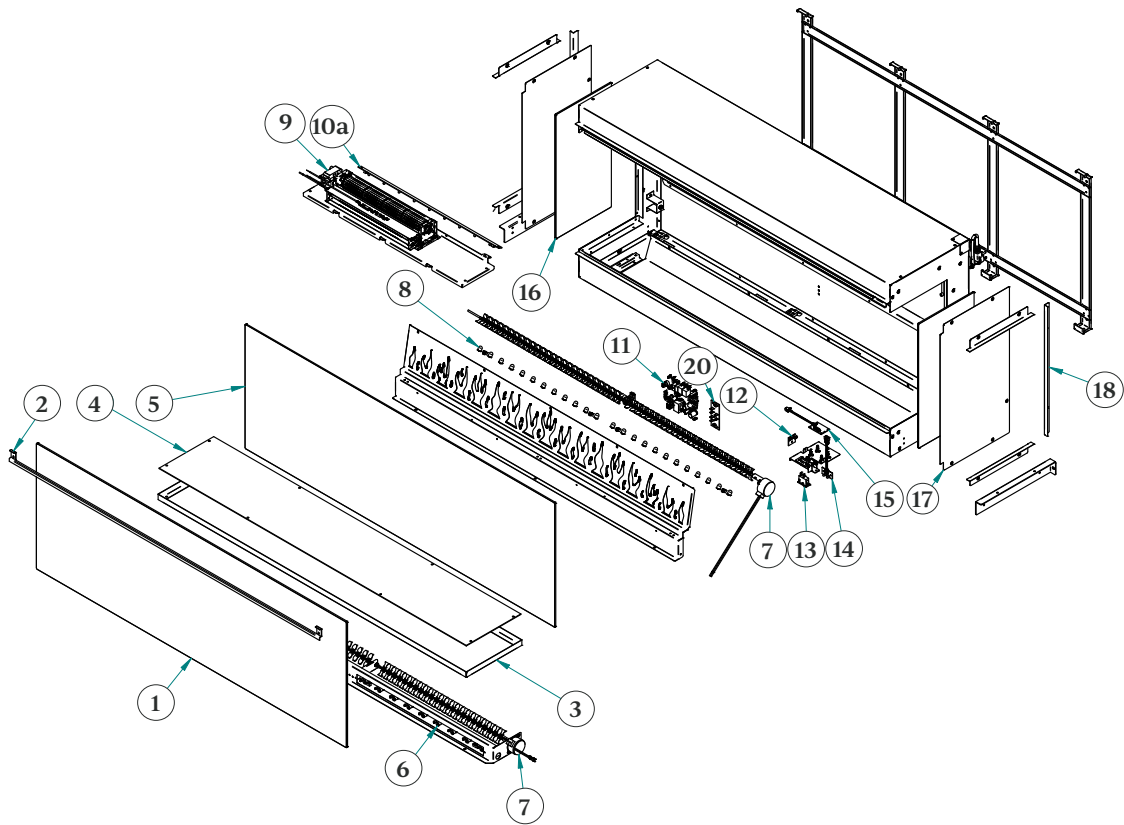
New Forest 870 FCB00031	New Forest 1200 FCB00032	New Forest 1600 FCB00033	New Forest 1900 FCB00074
----------------------------	-----------------------------	-----------------------------	-----------------------------

Scattered Log Fuel Bed Part Numbers



New Forest 870 N/A	New Forest 1200 FCB00143	New Forest 1600 FCB00139	New Forest 1900 FCB00144
-----------------------	-----------------------------	-----------------------------	-----------------------------

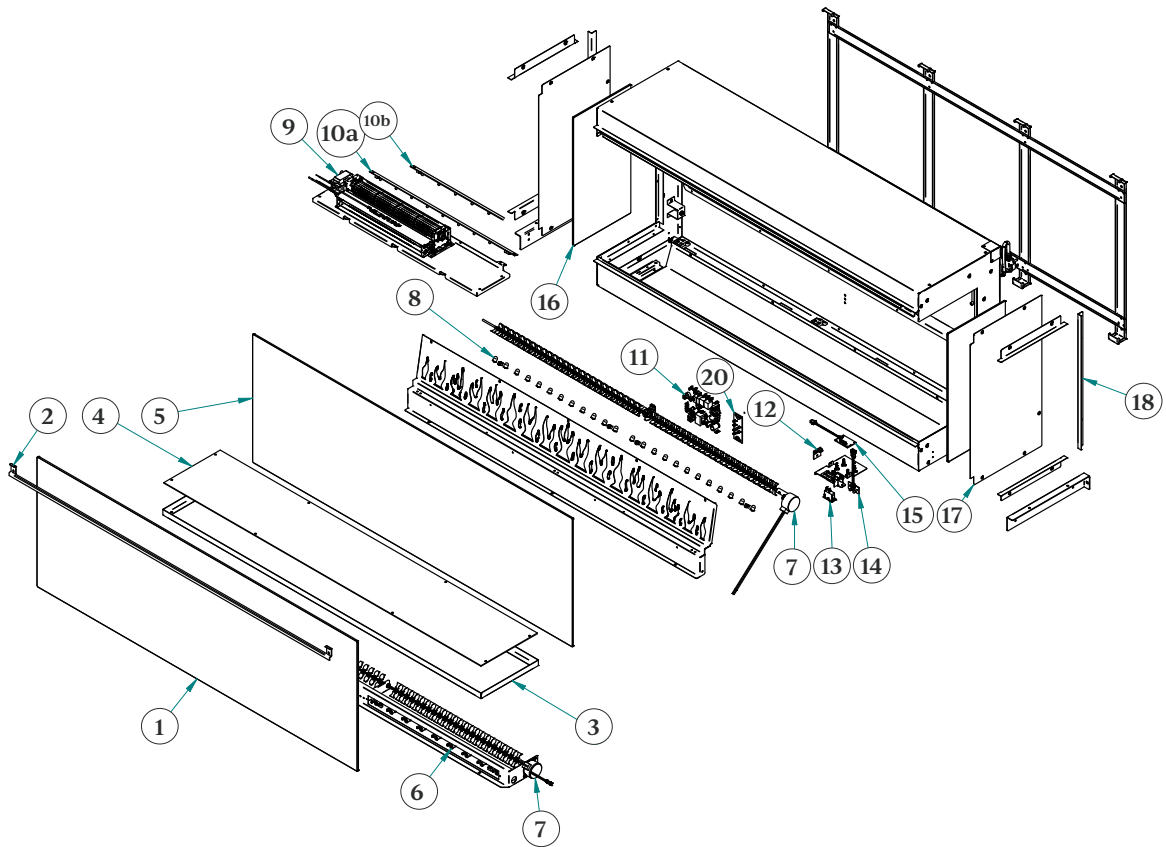
16.0 New Forest 870 Spare parts



- | | |
|---|------------------------------------|
| 1) F960312—Front Glass Panel | 11) F960267—PCB |
| 2) F960317—Front Glass Retaining Bracket | 12) F960274—NTC Thermostat |
| 3) F960306—Fuel Bed Tray | 13) F960271—Isolator Switch |
| 4) F960305—Frosted Fuel Bed | 14) F960275—Feedback Display Panel |
| 5) F960313—Rear Glass Panel | 15) F960273—Remote Receiver |
| 6) F960314—Small Front Fuel Bed LED Strip | 16) F960311—Side Glass Panel |
| 7) F960269—Rotisserie Motor | 17) F960335—Blanking Panel |
| 8) F960315—Rear Flame-effect LED Strip | 18) F960336—Large End Trim |
| 9) F960270—Heater & Fan Assembly | 19) F960268—Remote Handset |
| 10) F960272—Downlight LED Strip | 20) F960352—Inlet PCB |

There are no internal user serviceable parts.

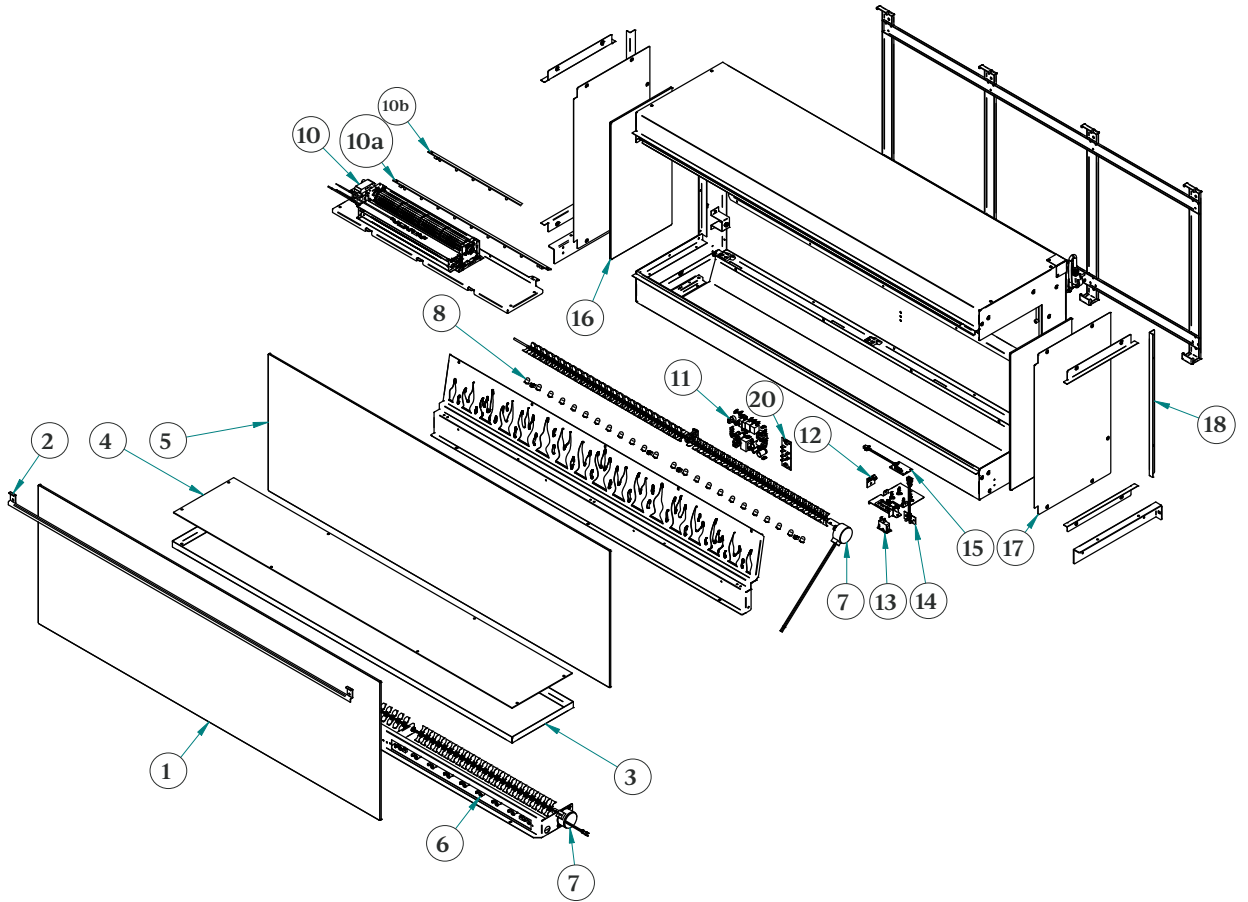
16.0 New Forest 1200 Spare parts



- | | |
|--|------------------------------------|
| 1) F960261—Front Glass Panel | 11) F960267—PCB |
| 2) F960309—Glass Retaining Bracket | 12) F960274—NTC Thermostat |
| 3) F960307—Fuel Bed Tray | 13) F960271—Isolator Switch |
| 4) F960264—Frosted Fuel Bed | 14) F960275—Feedback Display Panel |
| 5) F960262—Rear Glass Panel | 15) F960273—Remote Receiver |
| 6) F960265—Front Fuel Bed LED Strip | 16) F960263—Side Glass Panel |
| 7) F960301—Rotisserie Motor | 17) F960322—Blanking Panel |
| 8) F960266—Rear Flame-effect LED Strip | 18) F960320—Large End Trim |
| 9) F960302—Heater & Fan Assembly | 19) F960268—Remote Handset |
| 10a) F960316—Main Downlight LED Strip | 20) F960352—Inlet PCB |
| 10b) F960372—Side Downlight LED Strip | |

There are no internal user serviceable parts.

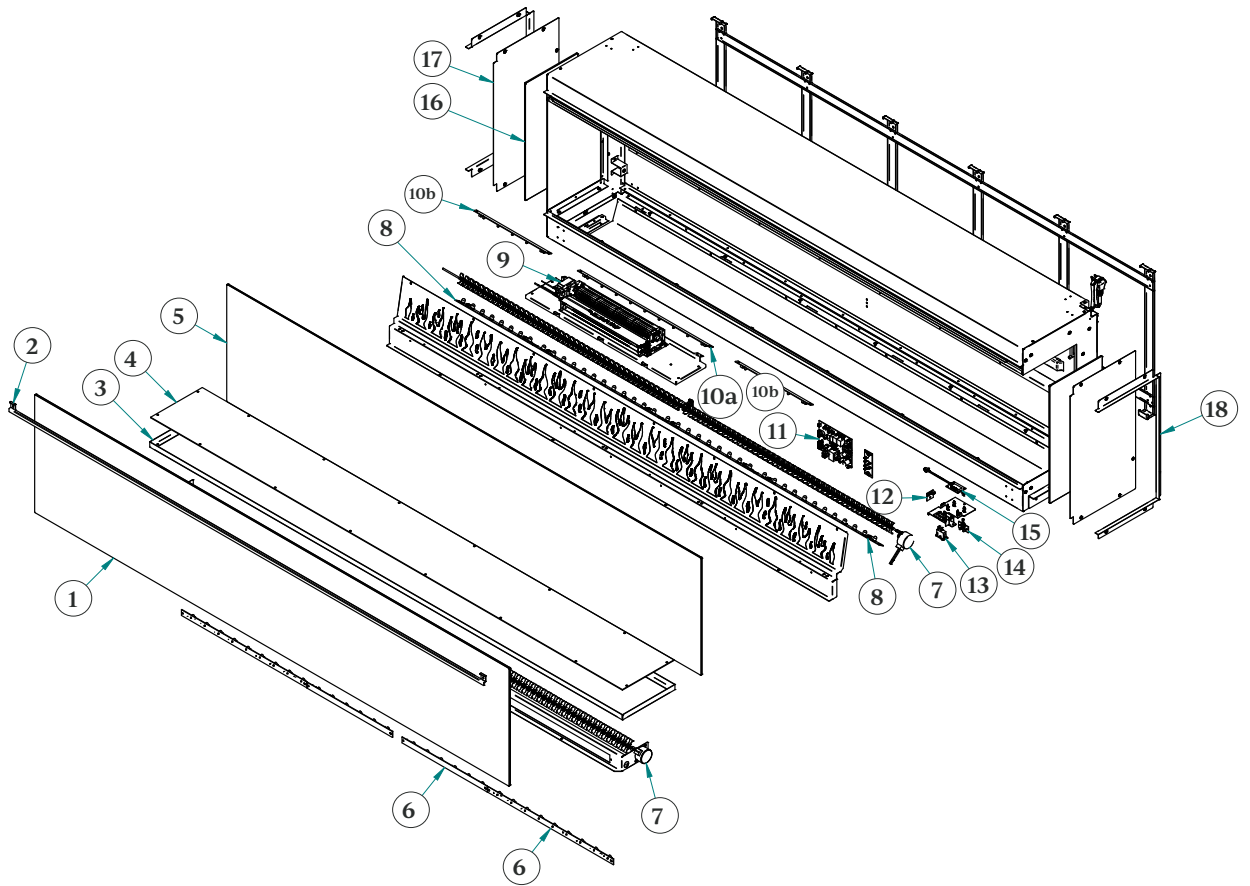
16.0 New Forest 1600 Spare parts



- | | |
|--|---------------------------------------|
| 1) F960323—Front Glass Panel | 10b) F960358—Side Downlight LED Strip |
| 2) F960327—Glass Retaining Bracket | 11) F960267—PCB |
| 3) F960328—Fuel Bed Tray | 12) F960274—NTC Thermostat |
| 4) F960321—Frosted Fuel Bed | 13) F960271—Isolator Switch |
| 5) F960324—Rear Glass Panel | 14) F960275—Feedback Display Panel |
| 6) F960365—Main Front LED Light Strip | 15) F960273—Remote Receiver |
| 6) F960314—Small Front LED Light Strip | 16) F960263—Side Glass Panel |
| 7) F960301—Rotisserie Motor | 17) F960322—Blanking Panel |
| 8) F960326—Small Rear Flame-effect LED Strip | 18) F960320—Large End Trim |
| 8) F960266—Main Rear Flame-effect LED Strip | 19) F960268—Remote Handset |
| 9) F960302—Heater & Fan Assembly | 20) F960352—Inlet PCB |
| 10a) F960316—Main Downlight LED Strip | |

There are no internal user serviceable parts.

16.0 New Forest 1900 Spare parts



- | | |
|--|---------------------------------------|
| 1) F960351—Front Glass Panel | 10b) F960358—Side Downlight LED Strip |
| 2) F960355—Glass Retaining Bracket | 11) F960267—PCB |
| 3) F960349—Fuel Bed Tray | 12) F960274—NTC Thermostat |
| 4) F960350—Frosted Fuel Bed | 13) F960271—Isolator Switch |
| 5) F960356—Rear Glass Panel | 14) F960275—Feedback Display Panel |
| 6) F960265—Main Front Fuel Bed LED Strip | 15) F960273—Remote Receiver |
| 6) F960314—Small Front Fuel Bed LED Strip | 16) F960263—Side Glass Panel |
| 7) F960269—Rotisserie Motor | 17) F960322—Blanking Panel |
| 8) F960266—Main Rear Flame-effect LED Strip | 18) F960320—Large End Trim |
| 8) F960357—Small Rear Flame-effect LED Strip | 19) F960268—Remote Handset |
| 9) F960270—Heater & Fan Assembly | 20) F960352—Inlet PCB |
| 10a) F960316—Main Downlight LED Strip | |

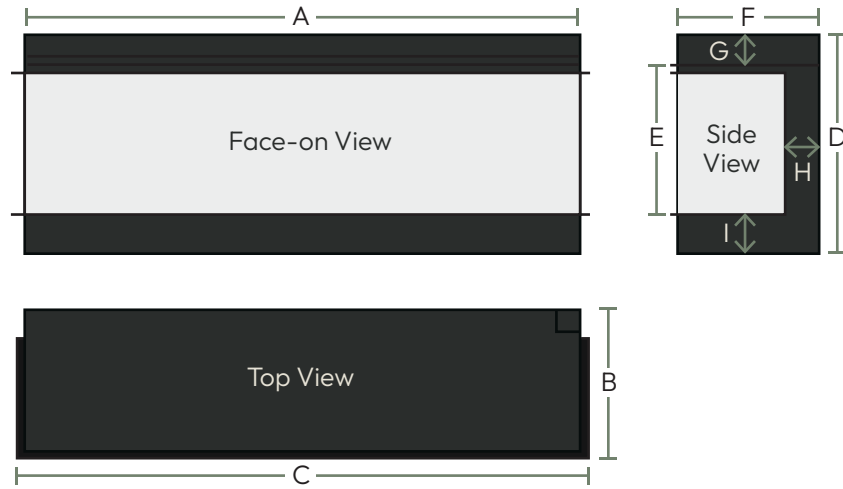
There are no internal user serviceable parts.

18.0 Specification sheets

New Forest 870

Dimensions

- A 845.0mm
- B 311.0mm
- C 870.0mm
- D 465.0mm
- E 329.0mm
- F 300.0mm
- G 49.5mm
- H 67.0mm
- I 83.5mm



New Forest 870 Features

- One, two, or three-sided installation
- Remote control
- Full thermostatic control
- Timer control options
- Downlighting
- Three fuel bed colours (Orange, pink, blue)

Tech Specs

- Supply voltage 220–240V AC
- Rating power 50Hz
- Heat output 1500W
- Lighting LED
- UK Patent No. 2,583,055B
- EU Patent No. 3 667 171B
- Certification..... UKCA, CE

Black Edition Features

- Deluxe Real Logs
- Rear Black Glass
- Upgrade to AR Glass

Deluxe Features

- Deluxe Real Logs
- Rear Mirrored Glass
- Upgrade to AR Glass

Signature Features

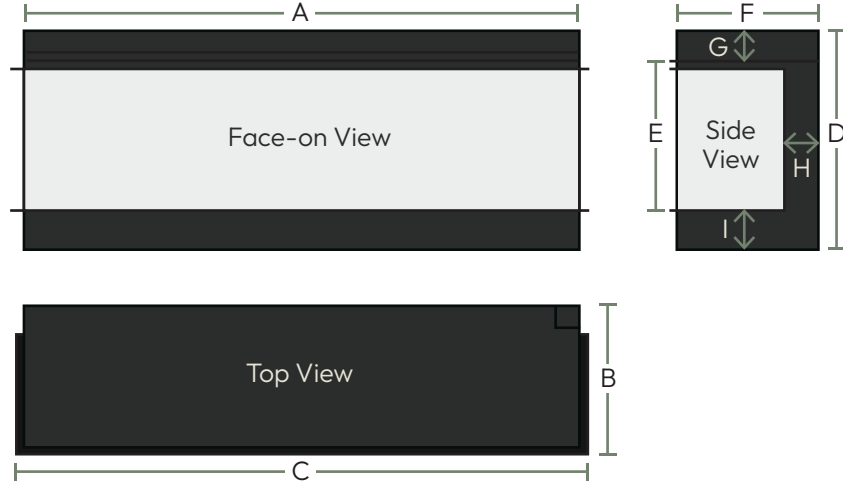
- Signature Logs
- Rear Mirrored Glass
- Upgrade to AR Glass

18.0 Specification sheets

New Forest 1200

Dimensions

- A 1178.0mm
- B 311.0mm
- C 1200.0mm
- D 565.0mm
- E 424.0mm
- F 300.0mm
- G 55.5mm
- H 67.0mm
- I 83.5mm



New Forest 1200 Features

- One, two, or three-sided installation
- Remote control
- Full thermostatic control
- Timer control options
- Downlighting
- Three fuel bed colours (Orange, pink, blue)

Tech Specs

- Supply voltage 220–240V AC
- Rating power 50Hz
- Heat output 1500W
- Lighting LED
- UK Patent No. 2,583,055B
- EU Patent No. 3 667 171B
- Certification..... UKCA, CE

Black Edition Features

- Deluxe Real Logs
- Rear Black Glass
- Upgrade to AR Glass

Deluxe Features

- Deluxe Real Logs
- Rear Mirrored Glass
- Upgrade to AR Glass

Signature Features

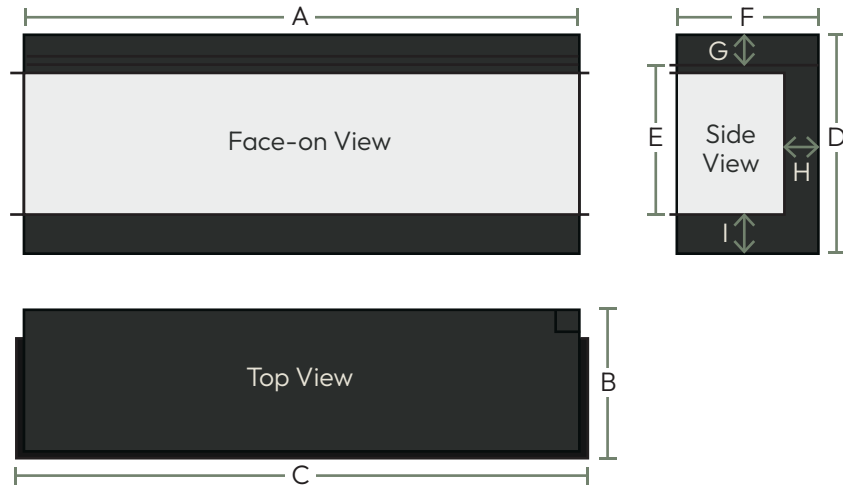
- Signature Logs
- Rear Mirrored Glass
- Upgrade to AR Glass

18.0 Specification sheets

New Forest 1600

Dimensions

- A 1578.0mm
- B 311.0mm
- C 1600.0mm
- D 565.0mm
- E 424.0mm
- F 300.0mm
- G 55.5mm
- H 67.0mm
- I 83.5mm



New Forest 1600 Features

- One, two, or three-sided installation
- Remote control
- Full thermostatic control
- Timer control options
- Downlighting
- Three fuel bed colours (Orange, pink, blue)

Tech Specs

- Supply voltage 220–240V AC
- Rating power 50Hz
- Heat output 1500W
- Lighting LED
- UK Patent No. 2,583,055B
- EU Patent No. 3 667 171B
- Certification..... UKCA, CE

Black Edition Features

- Deluxe Real Logs
- Rear Black Glass
- Upgrade to AR Glass

Deluxe Features

- Deluxe Real Logs
- Rear Mirrored Glass
- Upgrade to AR Glass

Signature Features

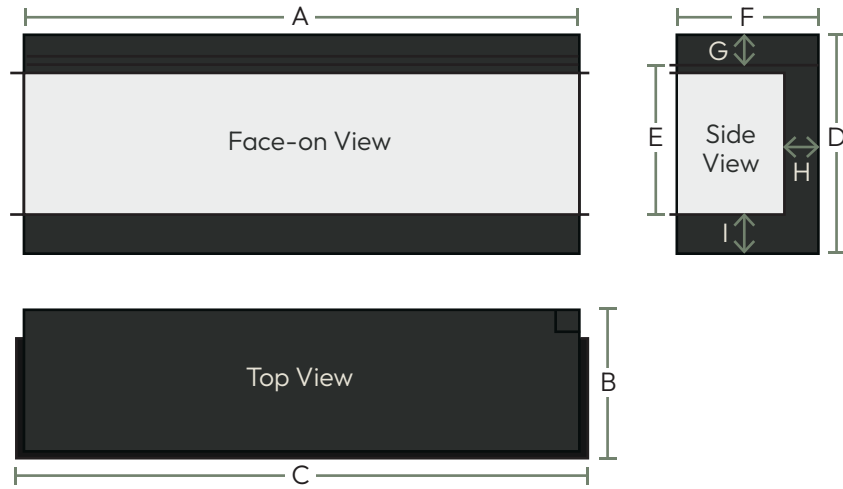
- Signature Logs
- Rear Mirrored Glass
- Upgrade to AR Glass

18.0 Specification sheets

New Forest 1900

Dimensions

- A 1900.0mm
- B 311.0mm
- C 1925.0mm
- D 565.0mm
- E 424.0mm
- F 300.0mm
- G 55.5mm
- H 67.0mm
- I 83.5mm



New Forest 1900 Features

- One, two, or three-sided installation
- Remote control
- Full thermostatic control
- Timer control options
- Downlighting
- Three fuel bed colours (Orange, pink, blue)

Tech Specs

- Supply voltage 220–240V AC
- Rating power 50Hz
- Heat output 1500W
- Lighting LED
- UK Patent No. 2,583,055B
- EU Patent No. 3 667 171B
- Certification..... UKCA, CE

Black Edition Features

- Deluxe Real Logs
- Rear Black Glass
- Upgrade to AR Glass

Deluxe Features

- Deluxe Real Logs
- Rear Mirrored Glass
- Upgrade to AR Glass

Signature Features

- Signature Logs
- Rear Mirrored Glass
- Upgrade to AR Glass

18.0 Servicing

WARNING:
Never connect Live or Neutral wires to the Earth terminal of the plug.

Mains lead wiring

The mains lead wires are coloured as indicated in the following table:

Blue/Black	Neutral
Brown/Red	Live
Green/Yellow	Earth

PLEASE NOTE:
If a moulded plug is fitted and has to be removed take great care in disposing of the plug and severed cable, it must be destroyed to prevent engaging into a socket. Refer to Section 2.0, Appliance Data for appliance specification. Use only genuine manufacturers spare parts available from your supplier.

If the colours of the wires in the mains lead of this appliance do not correspond with the colour markings in the terminals of your plug then please proceed as follows: The blue wire must be connected to the terminal marked with an **N** or coloured black. The brown wire must be connected to the terminal marked with an **A** or coloured red. The green/yellow wire must be connected to the earth terminal which is marked with an **E** or with the earth symbol.

19.0 Terms & conditions, guarantee

Automatic 1-year Guarantee

We offer a standard one-year guarantee on every electric appliance.

Register for the Free 3-year Guarantee

To cover your appliance for a further two years, free registration is required on our website at www.britishfires.com/guarantee. Full guarantee terms & conditions are available to view at www.britishfires.com.

5-Year Guarantee Upgrade

If you have purchased a 5-Year Guarantee upgrade there will be a card in the packaging with a unique code. Enter that, with all of the other information requested at www.britishfires.com/guarantee to validate the guarantee upgrade.

Terms & Conditions

All appliances must be installed in a correctly ventilated space in accordance with the manufacturer's installation instructions and the rules in force. All of our fires carry UKCA & CE Approval. December 2025 British Fires™. For full terms and conditions, please visit our website.

1. For any claim to be made within three years from date of purchase you will be required to provide and supply your original proof of purchase.
2. All appliances must have been installed and operated in accordance with the manufacturer's instructions.
3. Purchase(s) must be made through an authorised stockist/retailer.

Please note all consumable items such as any ceramics including; coals, pebbles, logs, bark, crystals, rear panels are not covered by the 3- or 5-year guarantee.

During the guarantee period any appliance or component which is proven to be faulty or defective in manufacture, will be repaired or replaced free of material and labour charges, providing that we have authorised or carried out the repair or replacement.

We will not accept or reimburse the costs of any third-party who undertakes any work carried on the appliance or fits parts, unless we have approved such work in advance of it being carried out.

The guarantee period will not be extended under any circumstances.

Making a claim:

If you wish to make a claim under our guarantee and all the terms and conditions for your appliance have been met then please submit the details requested below to: Guarantee@britishfires.com

Details required:

1. Name, Address & Contact phone number.
2. A copy of your proof of purchase (e.g. receipt or bank statement). Please note that this does not affect your statutory rights.
3. Brief description of the issue and supporting images, if possible.

Scan the QR code below to register your appliance.





This product complies with conformity requirements of the applicable UK Regulations.



This product complies with conformity requirements of the applicable European Regulations or Directives.



This product complies with conformity requirements of the applicable European Regulations or Directives.

UK Patent Number: GB 2583055 B

EU Patent Number: EP 3 667 171B

British Fires
Unit 10 Avon Trading Park
Christchurch, Dorset
BH23 2BT, United Kingdom

RBK House
Irishtown, Athlone
Co. Westmeath
N37 XP52, Ireland

T: 0808 169 9911
W: britishfires.com
E: sales@britishfires.com

Models covered by these instructions:

New Forest Electric Fire 870, 1200, 1600 & 1900
(EF40-32A, EF40-48A, EF40-63A & EF40-75A)

This appliance is only suitable for well insulated spaces or occasional use.

Please note: Except where otherwise stated, all rights, including copyright in the text, images and layout of this booklet is owned by British Fires.

You are not permitted to copy or adapt any of the content without the prior written permission of British Fires.

All instructions must be handed to the user for safekeeping.

© 2025 British Fires

Revision C – 12/25 | Part Number: F861580

