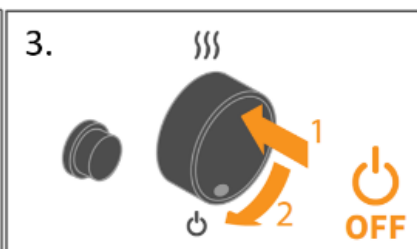
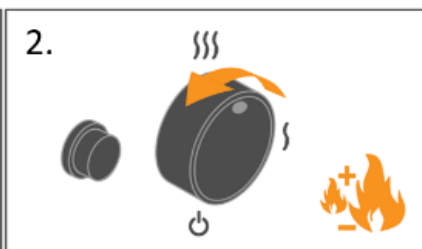
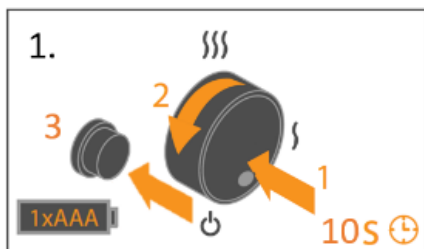
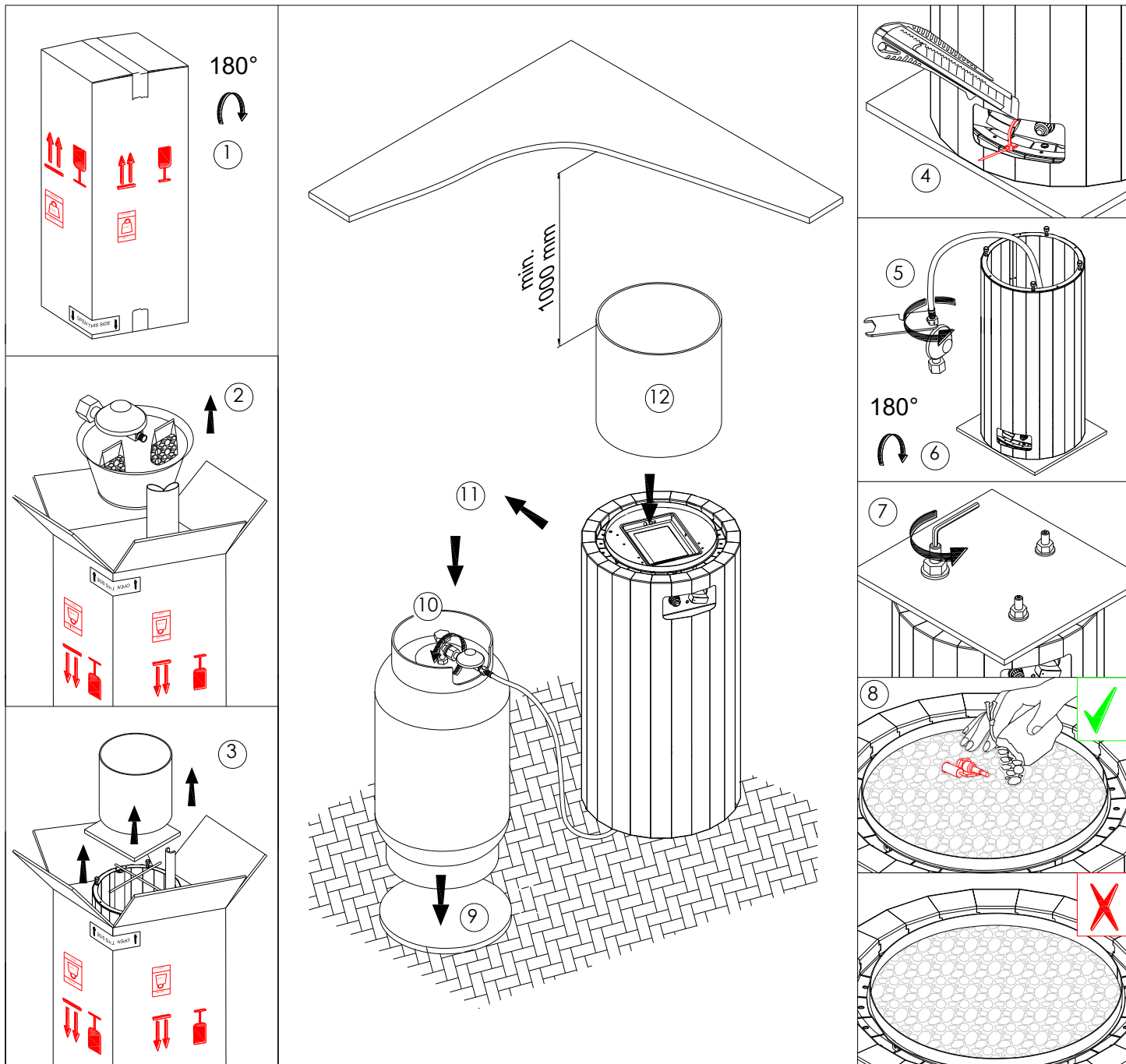


Scan for full version of

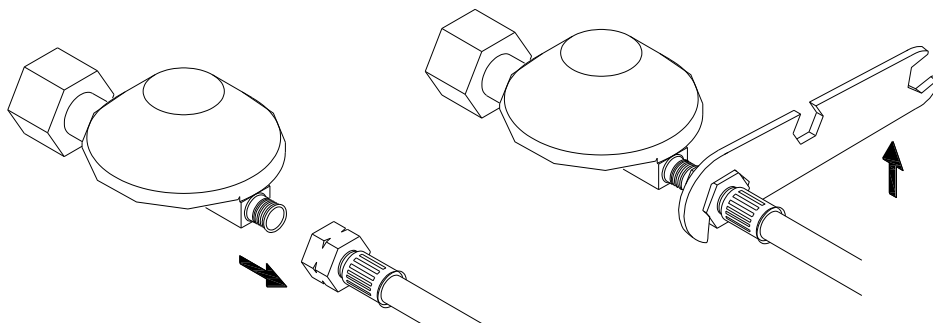


Installation Manual



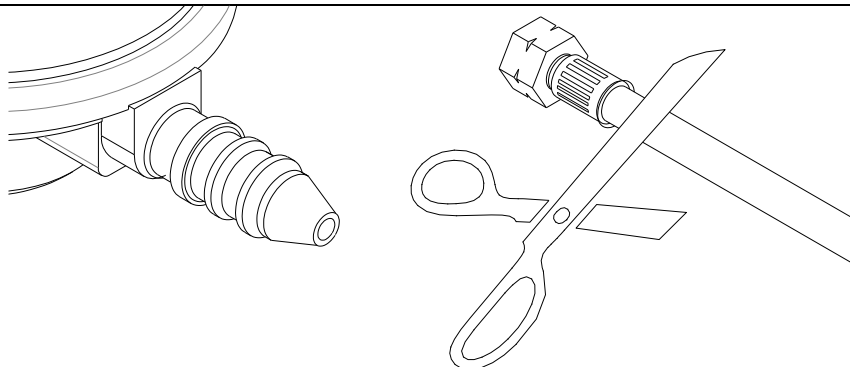
THREAD CONNECTOR

If your gas pressure reducer is equipped with thread connector screw it on using HEX spanner wrench included to the product turning it counterclockwise.

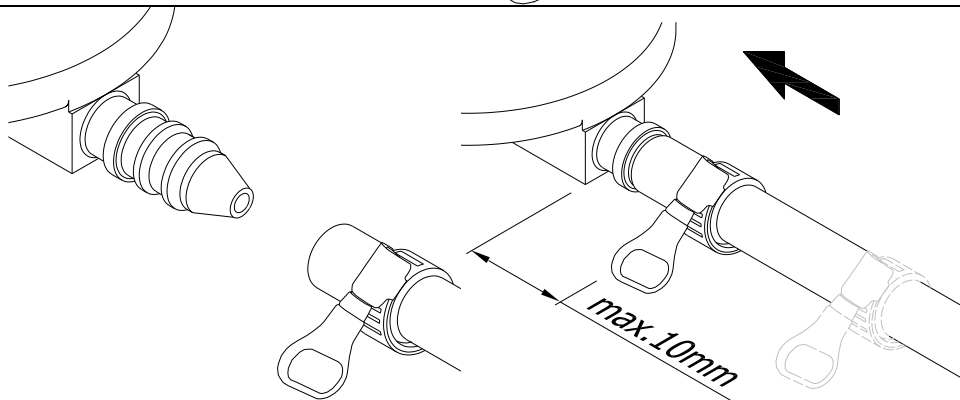


BARB CONNECTOR

If your gas pressure reducer is equipped with hose barb connector. Cut off the end of the gas hose with screw ending.

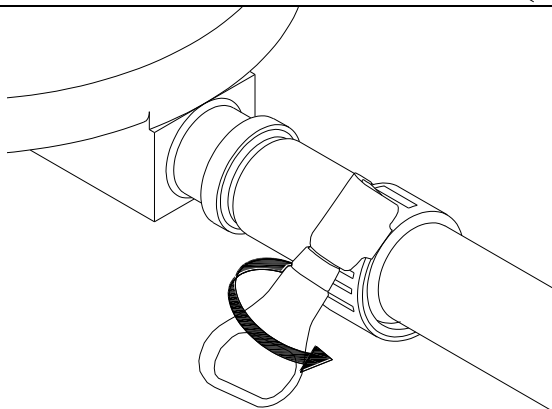


Move the clamp into the stub and assemble the pressure reducer. Make sure the clamp will not be further than 10mm from reducer.



Tighten the clamp by turning it clockwise.

WARNING! In the event of visible damage on the clamp, replace it for a new one.



Warning. To make it easier to apply the gas hose to the regulator outlet, you can heat the 2 cm hose end under warm water.

Warning. A wrench is single-use tool.

Warning. Check the sealness after assembling the reducer using soapy water (If air-bubbles are present that means the connection has a leak)

Warning Safe and intended use of the product is possible only after installation of all components included with the product.