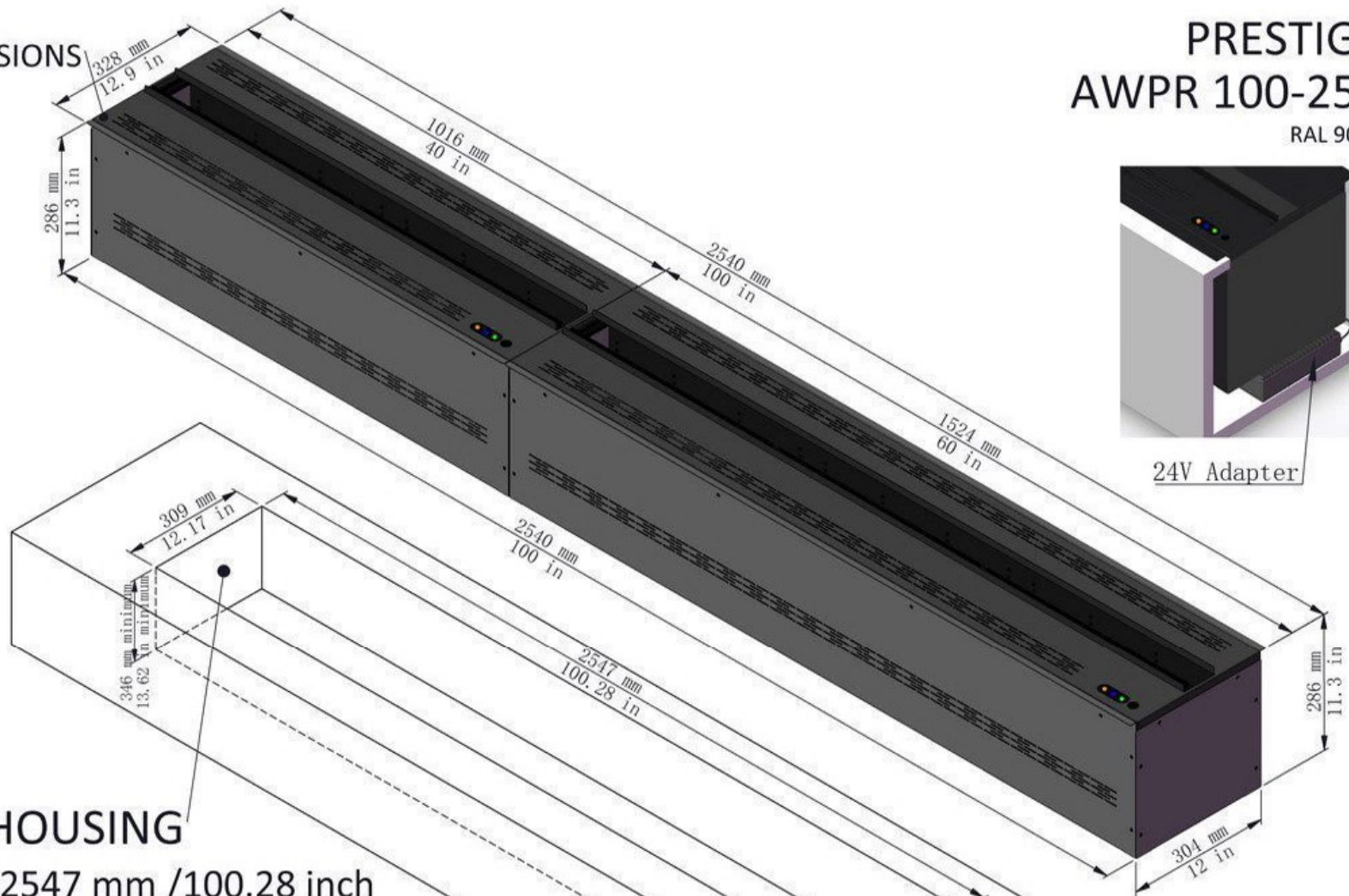


PRODUCT DIMENSIONS



PRESTIGE AWPR 100-250

RAL 9005

24V Adapter

HOUSING

- Length: 2547 mm / 100.28 inch
- Width: 309 mm / 12.17 inch
- Depth: 346 mm / 13.62 inch minimum